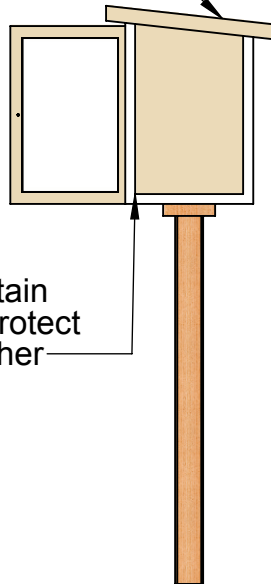
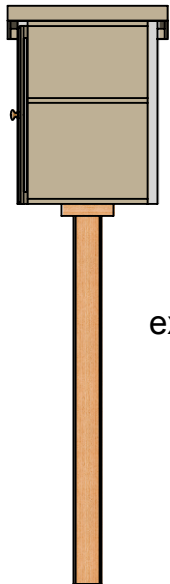
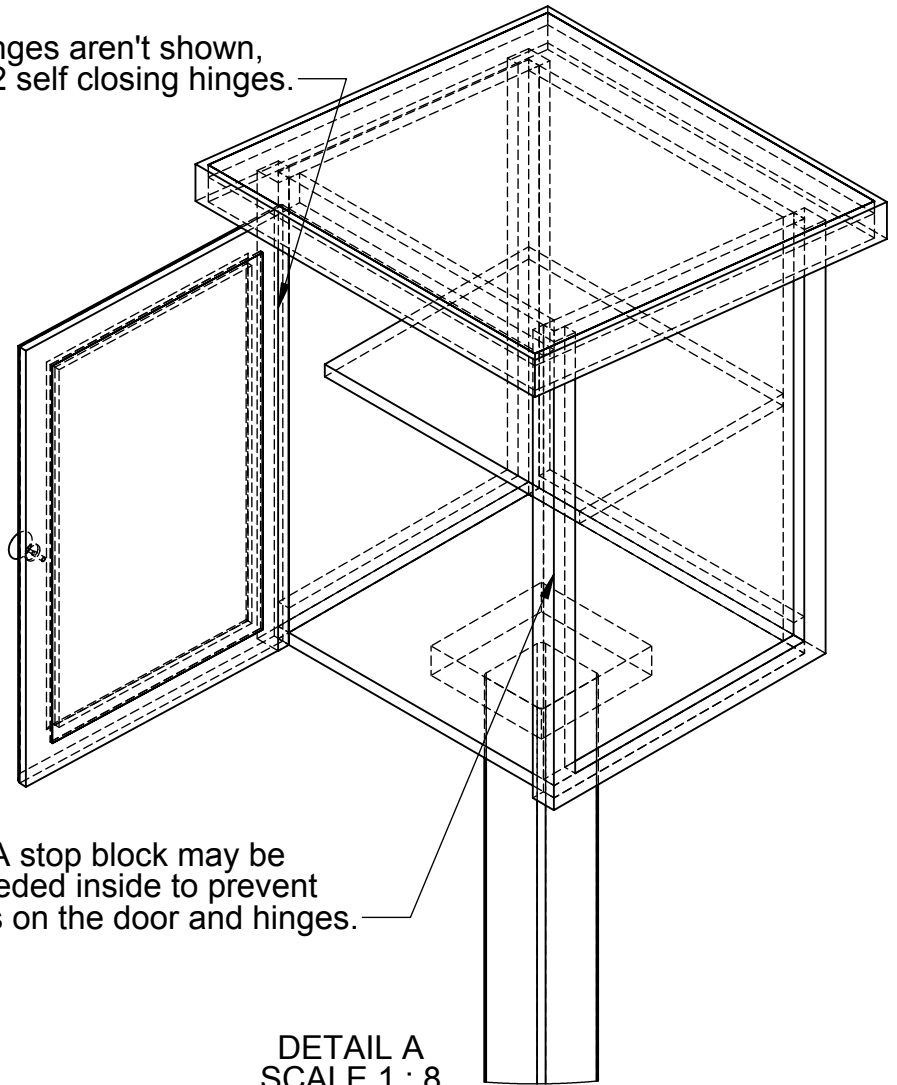


Hinges aren't shown,
use 2 self closing hinges.

Protect with shingles,
metal or another
appropriate material.



Paint or stain
exterior to protect
from weather



A stop block may be
needed inside to prevent
stress on the door and hinges.

DETAIL A
SCALE 1 : 8

Drawn By: Adam Plavinskis

Title:

Little free library

One inch:



Date:

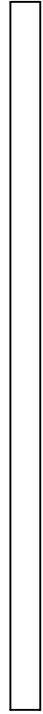
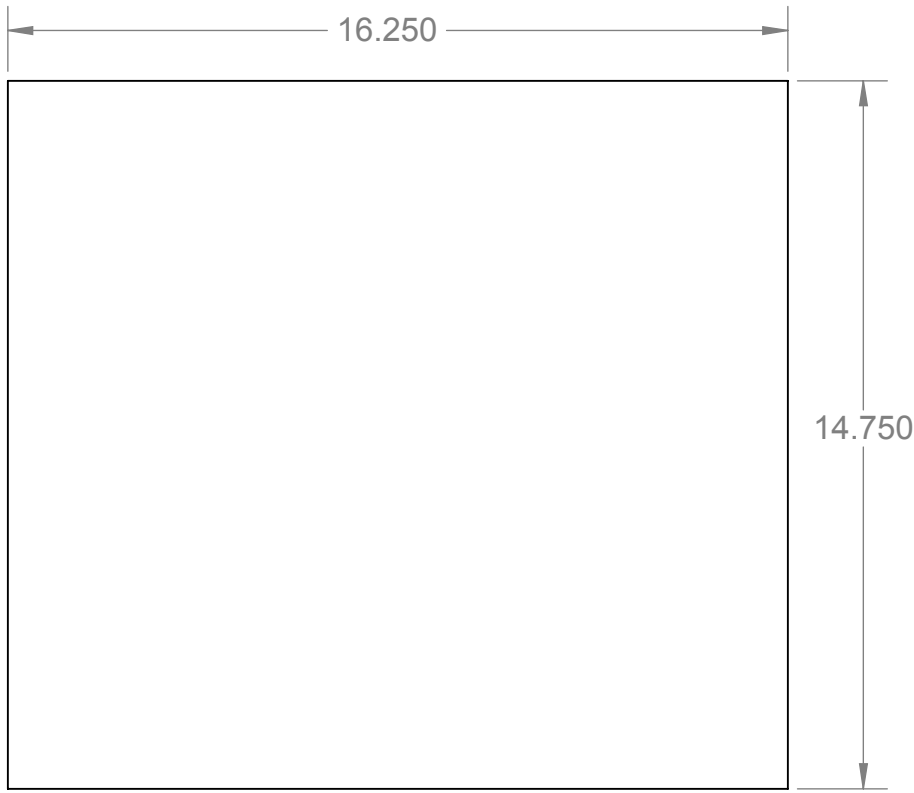
12/2/2014

Scale:

1:24

Page:

1 of 13



Drawn By: Adam Plavinskis	
Title:	little free library (bottom)
One inch:	Date: 12/2/2014
Scale:	Page: 2 of 13
1:4	

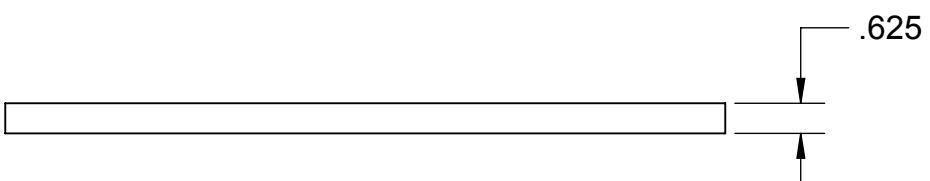
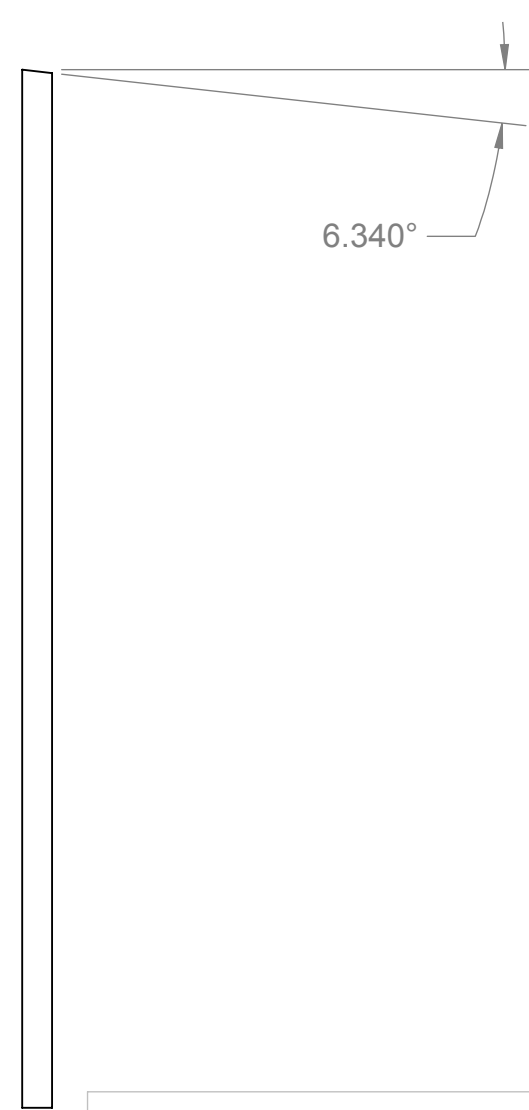
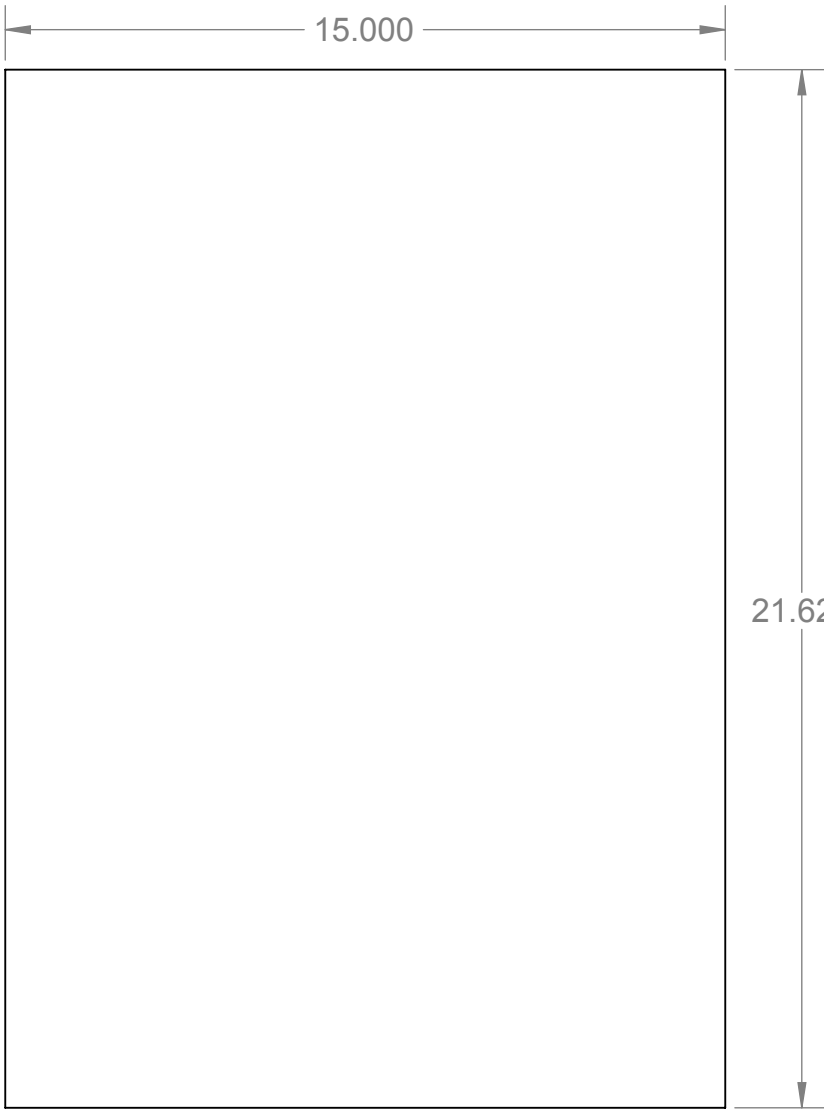
5

4

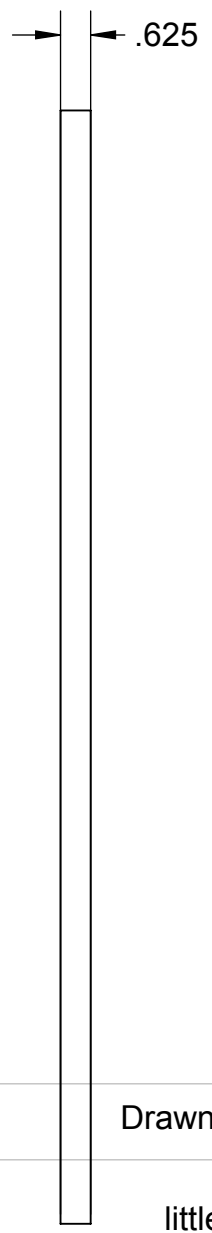
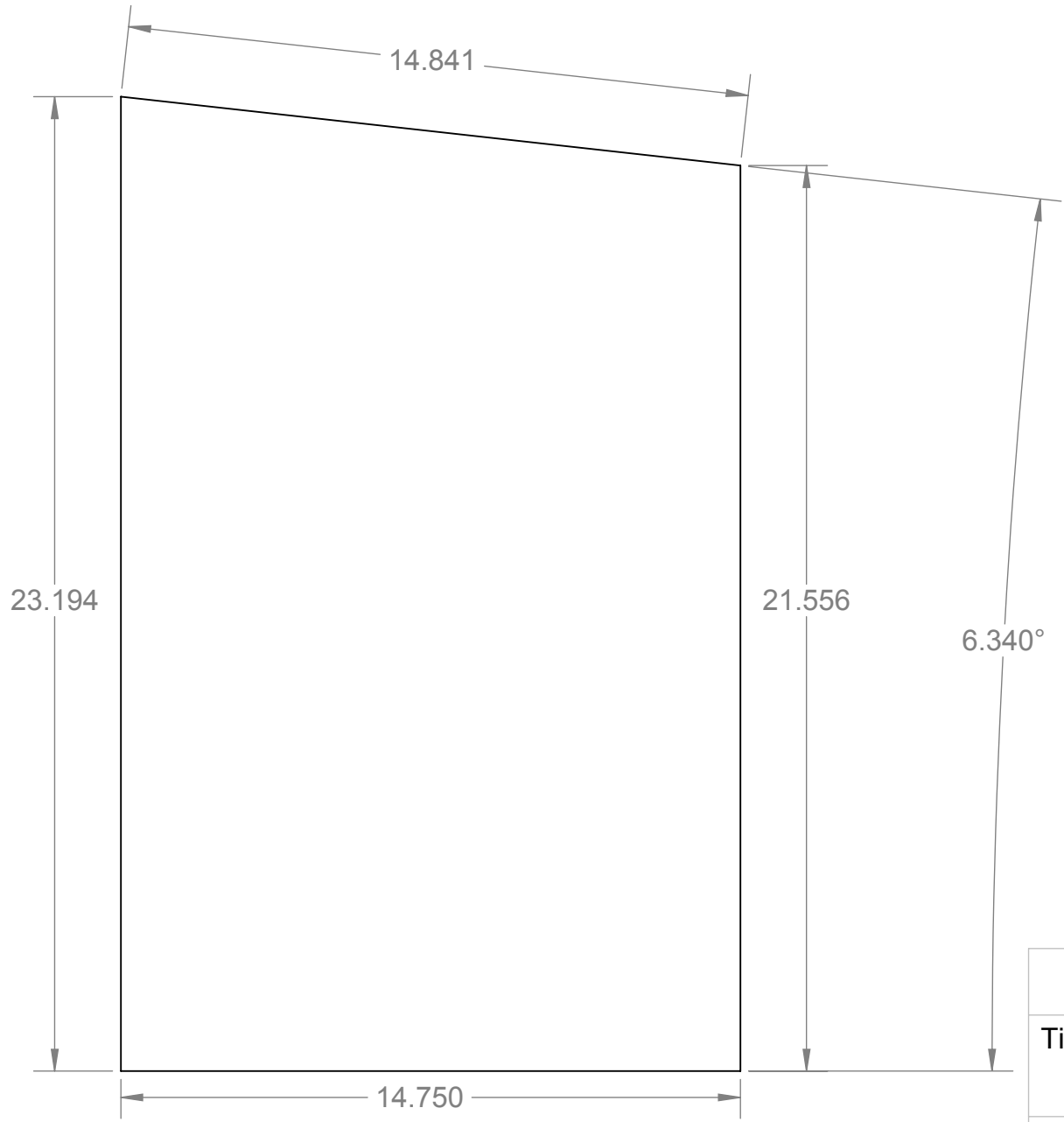
3

2

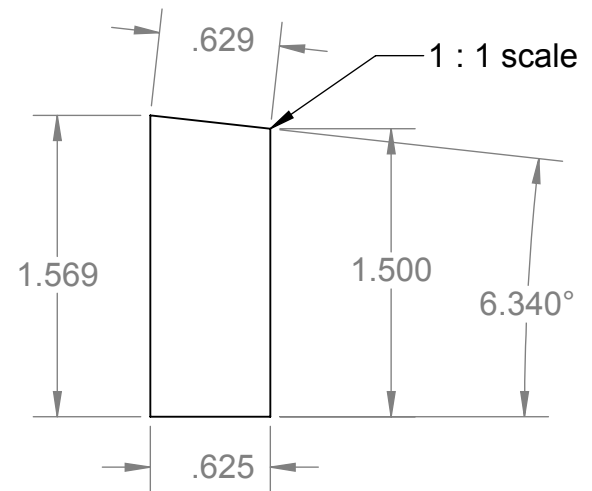
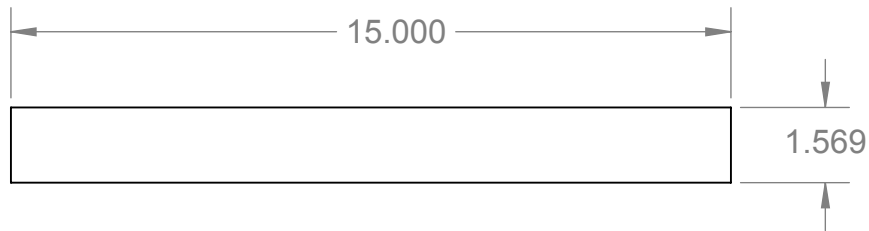
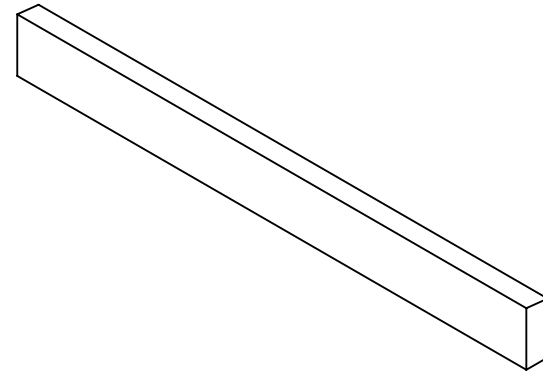
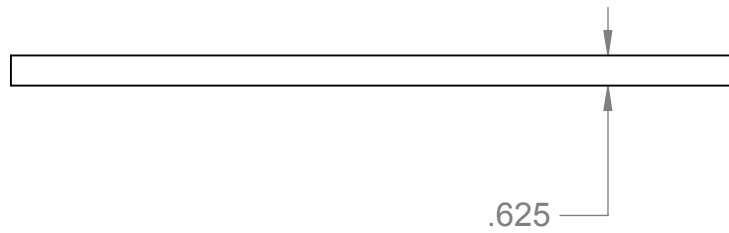
1



Drawn By: Adam Plavinskis	
Title:	little free library (back)
One inch:	Date: 12/2/2014
Scale: 1:4	Page: 3 of 13



Drawn By: Adam Plavinskis	
Title:	little free library (side)
One inch:	Date: 12/2/2014
Scale: 1:4	Page: 4 of 13



Drawn By: Adam Plavinskis

Title: little free library (front)

One inch:



Date:

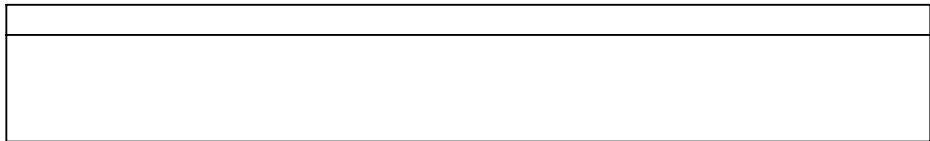
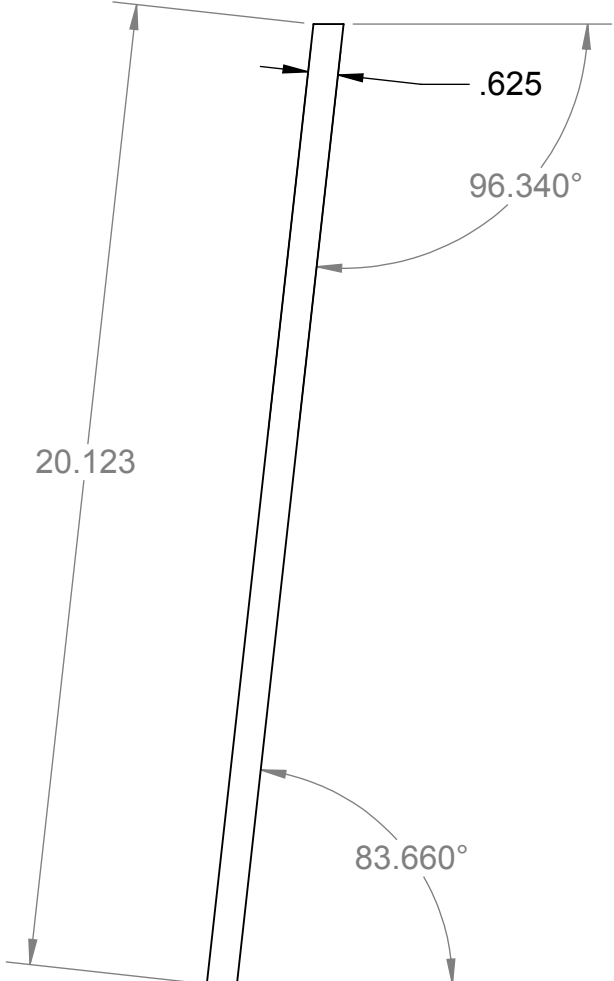
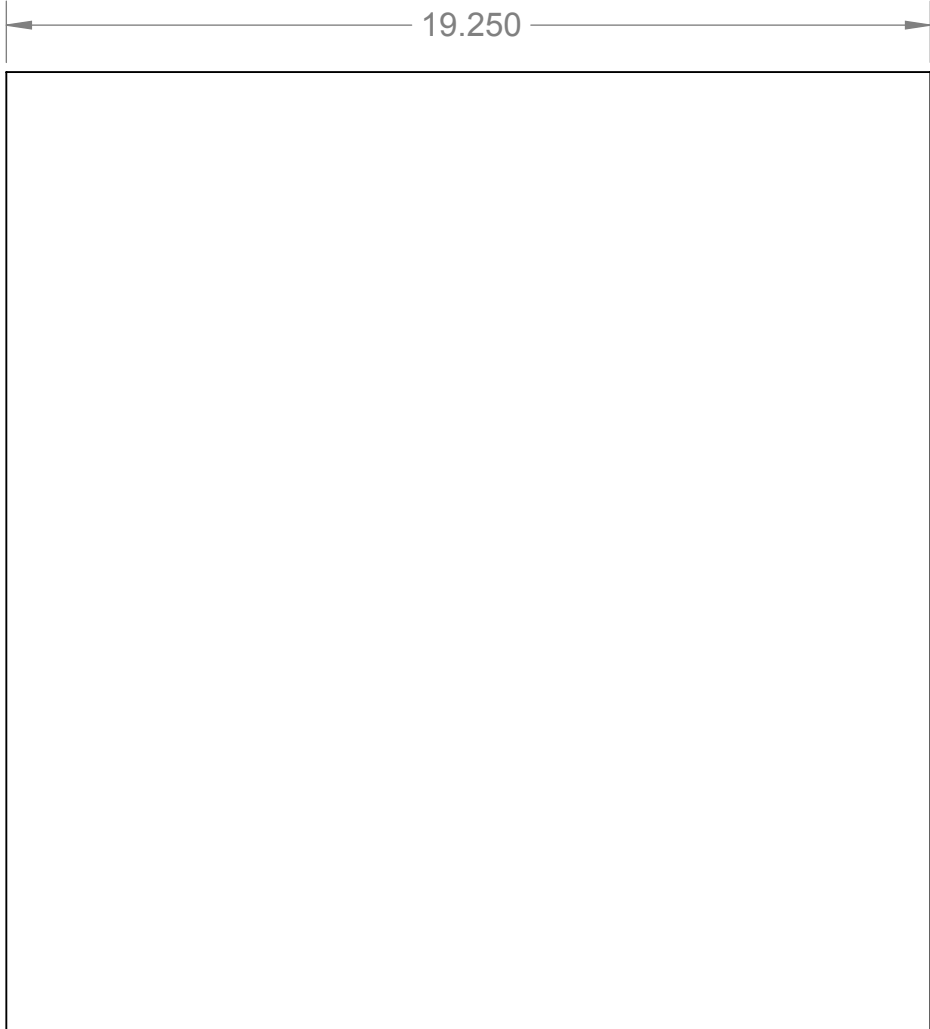
12/2/2014

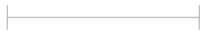
Scale:

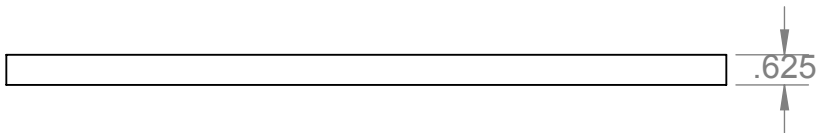
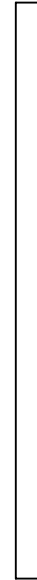
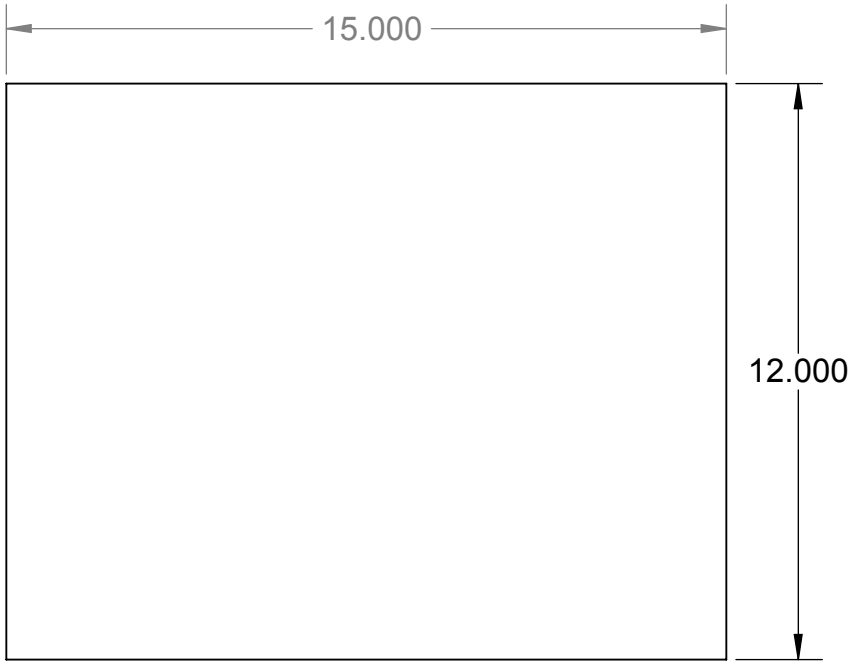
1:4

Page:

5 of 13

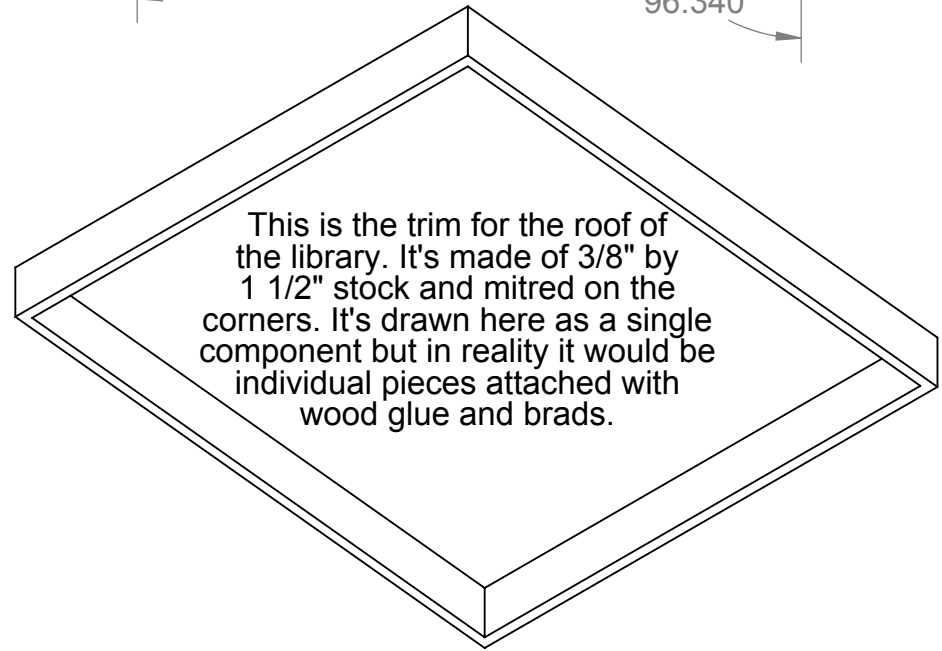
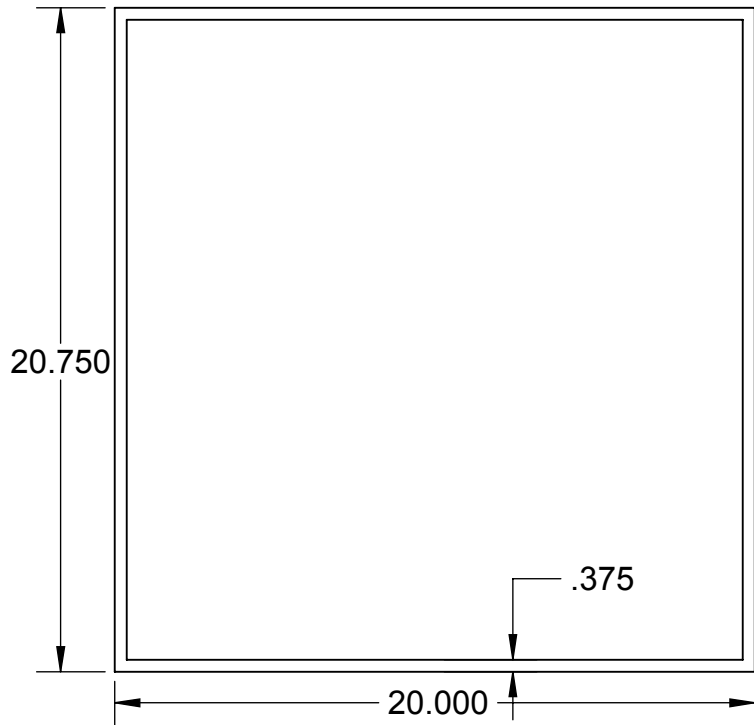
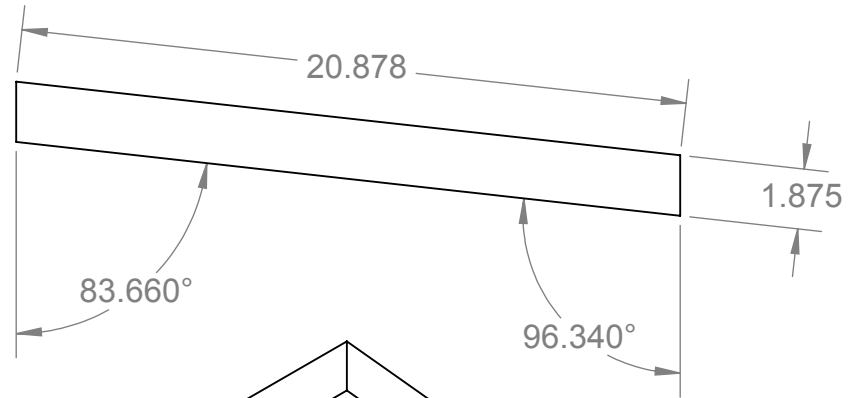
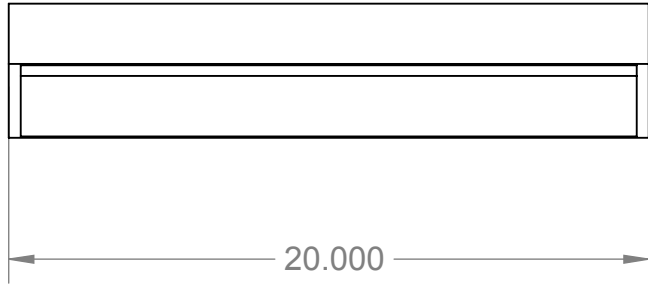


Drawn By: Adam Plavinskis	
Title: little free library (top)	
One inch: 	Date: 12/2/2014
Scale: 1:4	Page: 6 of 13



The shelf is attached 12" above the inside floor of the library. This results in a shelf that is 12" on the bottom and one that is 9" on the top. It can be secured with dowels or screwed in from the outside.

Drawn By: Adam Plavinskis	
Title:	little free library (shelf)
One inch:	Date: 12/2/2014
Scale: 1:4	Page: 7 of 13

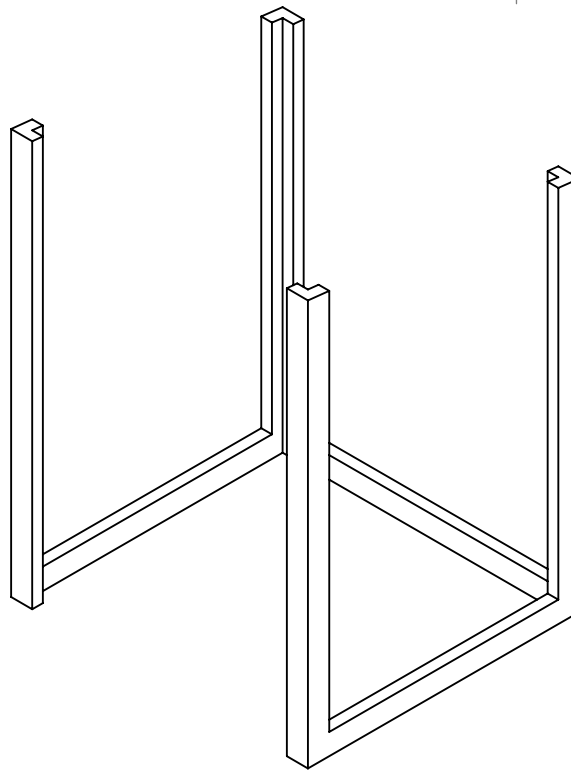
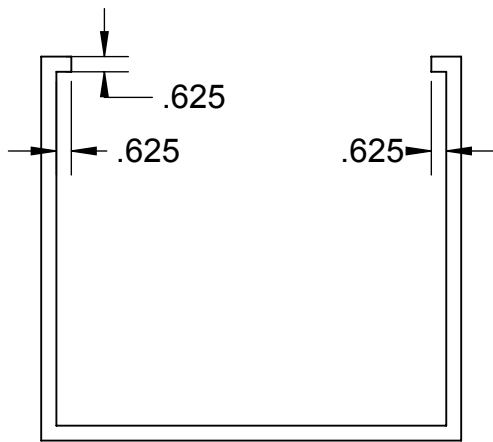
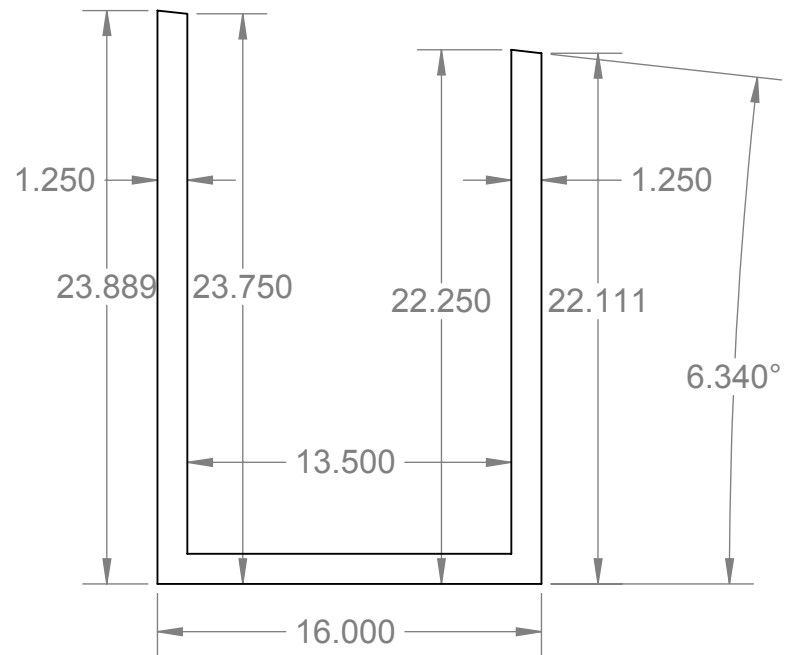
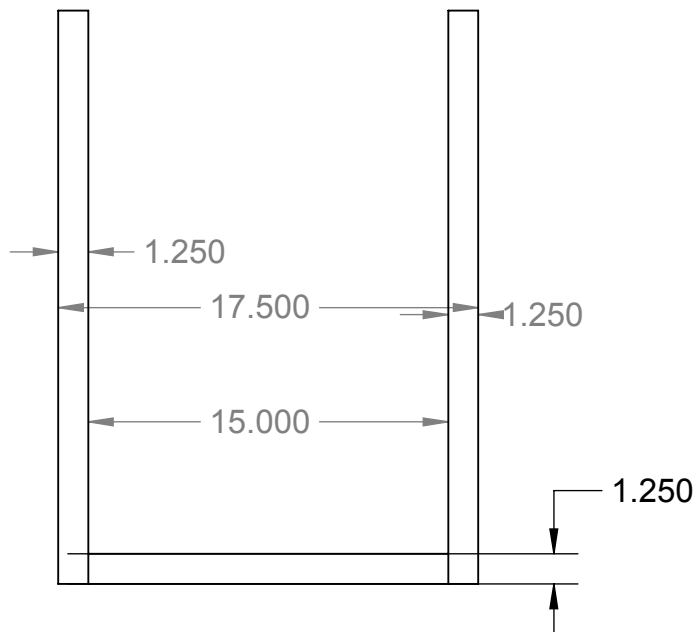


Drawn By: Adam Plavinskis

Title: little free library (roof trim)

One inch:  Date: 12/2/2014

Scale: 1:6 Page: 8 of 13



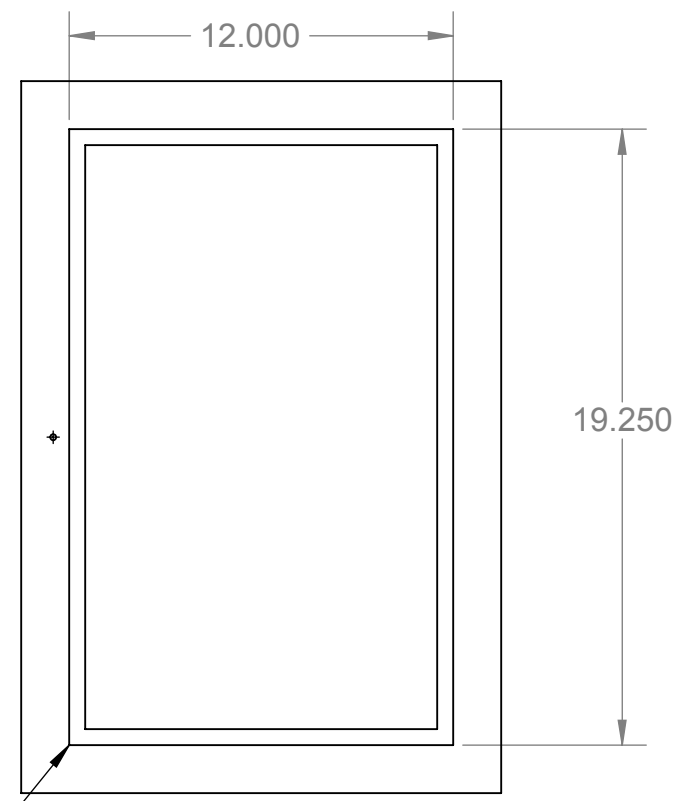
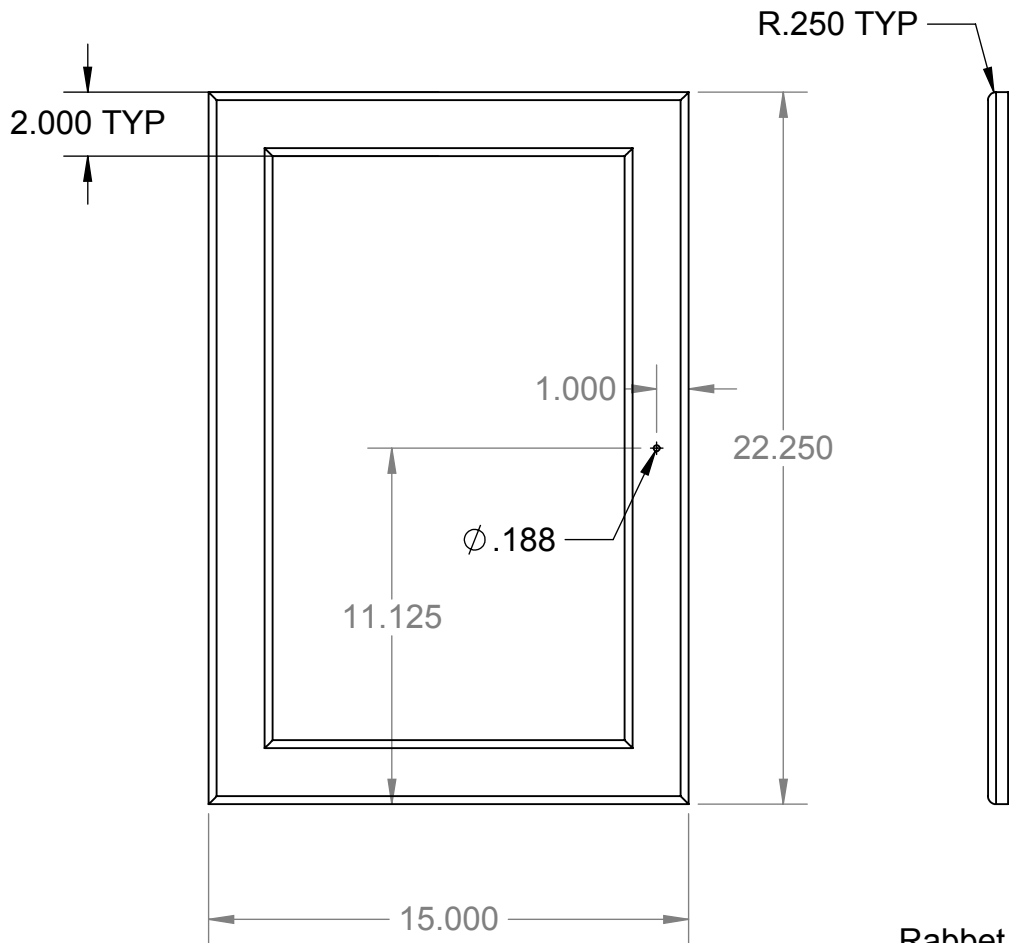
This is the trim for the body of the library. It's made of 5/8" by 1 1/4" stock and mitered on the corners. The bottom edge trim is on 3 sides only as the door takes up the 4th side. It's drawn here as a single component but in reality it would be individual pieces attached with wood glue and brads.

Drawn By: Adam Plavinskis

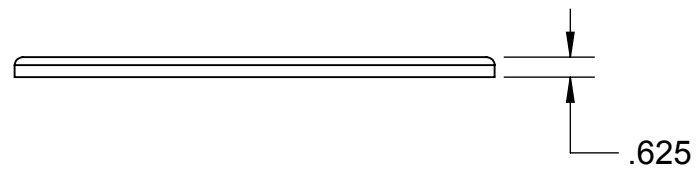
Title: little free library (corner trim)

One inch:  Date: 12/2/2014

Scale: 1:8 Page: 9 of 13



Rabbet for glass window
1/8" deep



Drawn By: Adam Plavinskis	
Title:	little free library (door)
One inch:	Date: 12/2/2014
Scale: 1:6	Page: 10 of 13

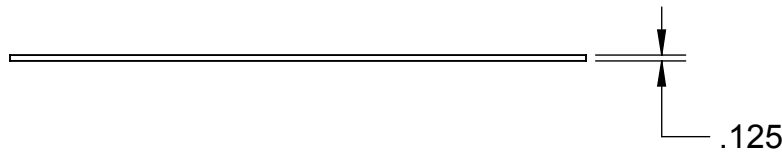
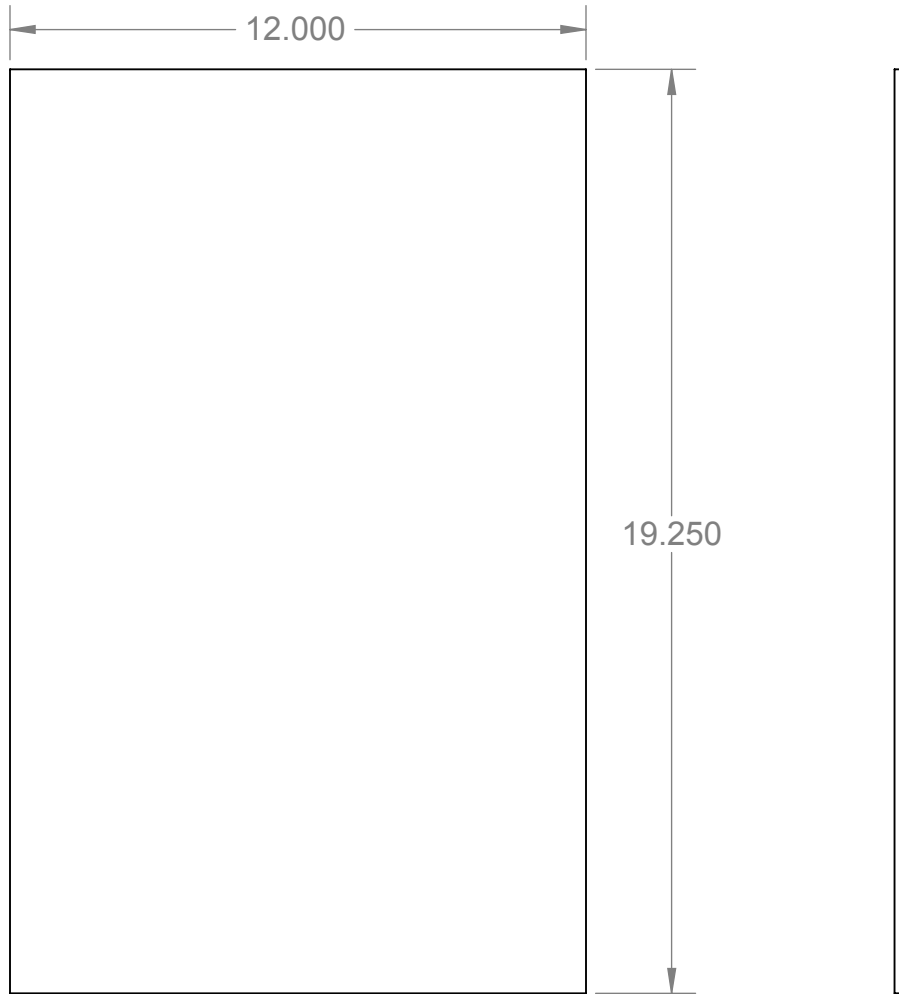
5

4

3

2

1



Drawn By: Adam Plavinskis	
Title:	little free library (glass)
One inch:	Date: 12/2/2014
Scale: 1:4	Page: 11 of 13

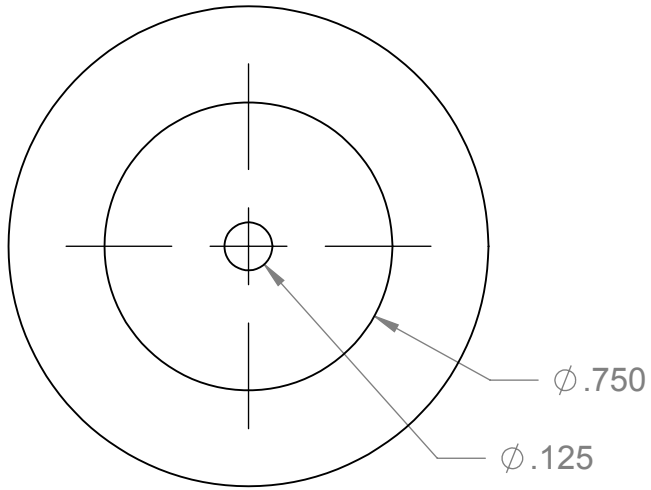
5

4

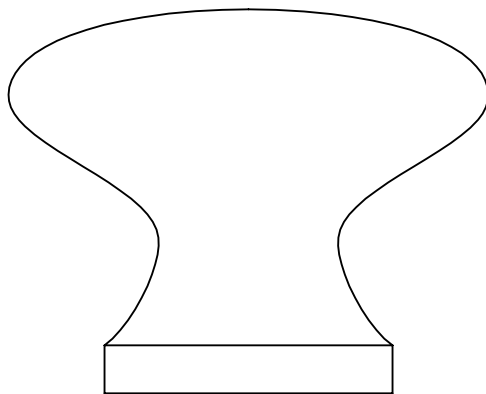
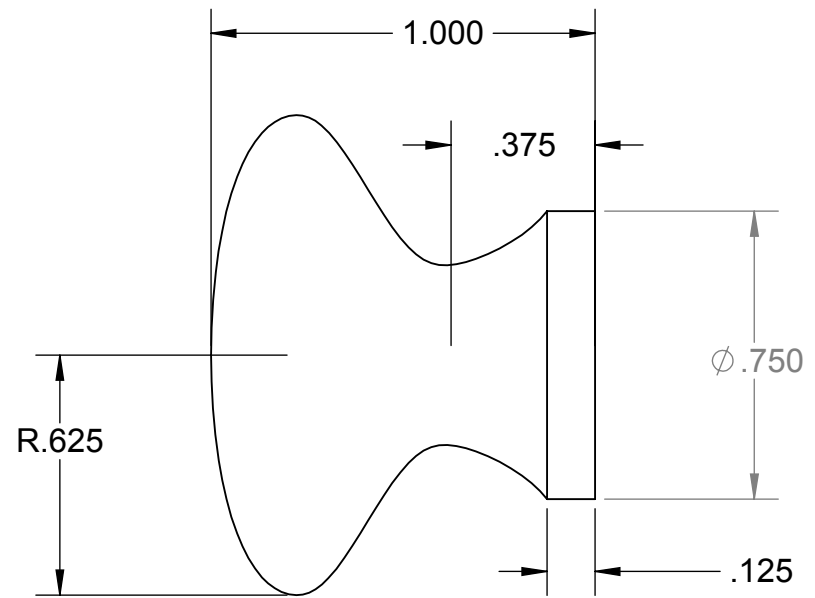
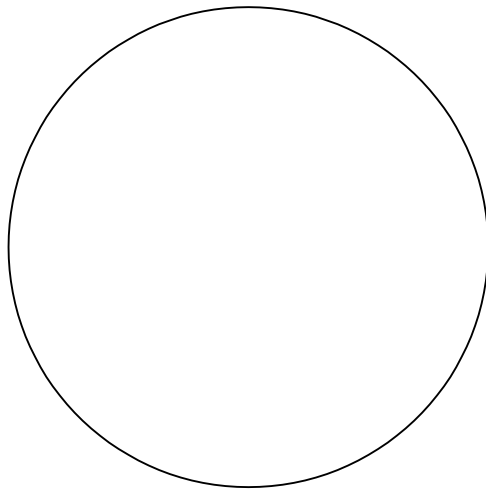
3

2

1



Can be turned on a lathe or bought from a hardware store.



Drawn By: Adam Plavinskis

Title:

knob

One inch:



Date:

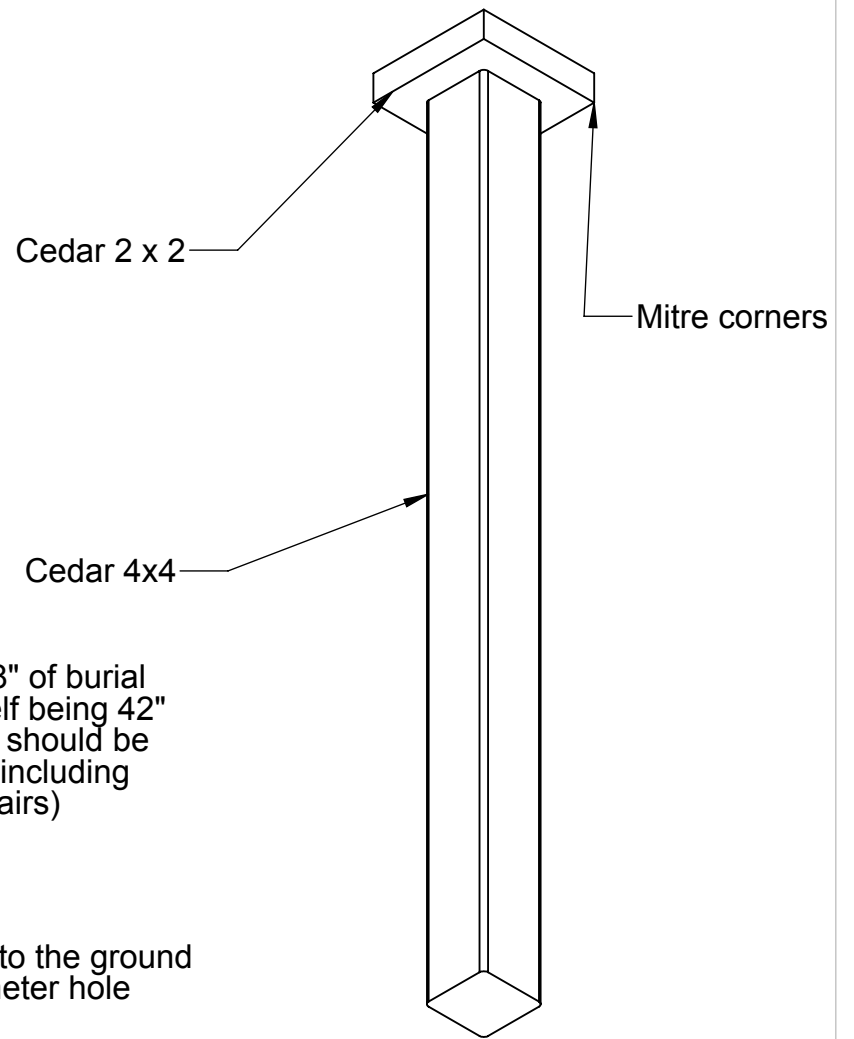
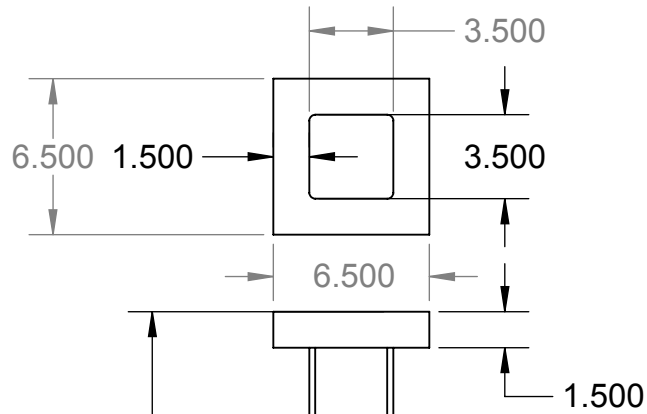
12/2/2014

Scale:

2:1

Page:

12 of 13



47.500

This length of post and 18" of burial will result in the middle shelf being 42" off the ground (approx). It should be accessible to everyone (including persons in wheelchairs)

bury 18 inches into the ground in a 12" diameter hole

Drawn By: Adam Plavinskis

Title: little free library (stand)

One inch:  Date: 12/2/2014

Scale: 1:8 Page: 13 of 13