

# STAFF REPORT

## CONCERNING APPLICATION FOR A CERTIFICATE OF APPROPRIATENESS



**Date:** March 29, 2019

**Application Number:** 2019-0329

**Property Location:** 1314 East Wayne Street

**Architectural Style/Date/Architect or Builder:** Neoclassical/1926/Whitcomb & Keller, H.R. Stapp

**Property Owner:** Valerie Schey and John Sherry

**Landmark or District Designation:** East Wayne Street, Ordinance #7796-87

**Rating:** Contributing

**DESCRIPTION OF STRUCTURE/ SITE:** Two and a half story Neoclassical house with a rectangular plan with one story addition on rear. House is elevated from street. Roof is slate shingles with gable returns, two small gable dormers in front with slate on sidewalls. A one-story wing has a low-pitched roof. Windows are primarily original wood 8/1 double hung with a paired 6/1 double hung in front center second story. There is a central pedimented entry with simple entablature, paired doric columns and pilasters at door. Façade is brick. There is a two car, two door brick gable roof garage in rear.

**ALTERATIONS:** COA 2016-0523 replaced 4' wood picket fence with 6' dog-eared wood privacy fence, in same fence line; RME 2012-0426 removed dead crabapple tree in rear yard; COA 1996-0917 replaced flat roof over kitchen with roof similar to roof over sunroom and replaced picket fence in kind; COA 1996-0618 constructed a low pitched hip roof over existing flat roof at sunroom at west end of house with membrane roofing and fiberglass shingle; COA 1996-0116 installed aluminum storm/screen combination windows to replace existing of sunroom; COA 1995-0616 removed storm damaged maple tree on tree lawn at the recommendation of Custom & Moore and the City of South Bend; COA 1994-0419 changed front door (saving and storing the original), installation of a screen door, installation of decorative shutters; COA 1994-0223 replaced five attic windows with the conditions that true divided light or applied exterior muntins be supplied by manufacturer and installed, all five original windows to be stored, applicant supply HPC with photo documentation of completed project.

**APPLICATION ITEMS:** *"New windows"*

**DESCRIPTION OF PROPOSED PROJECT:** Owner has applied for seventeen (17) original wood windows to be replaced with Renewal by Anderson Fibrex vinyl/wood composite windows. The windows proposed to be replaced are on the first and second stories of the main house; no new windows on the one-story wing; no new windows on the third story; no new windows in the rear addition.

Owner has supplied the following description of the problems they are having: some of the windows are warped and won't close, some of the windows have interior rot, there is water damage on the interior of some of the windows, some of them no longer open, and because of the misalignment caused by the above issues, the windows are very drafty. See email for additional information provided by owner.

From photographs provided by the owner and Renewal by Anderson, staff acknowledges visible peeling paint on the wood storm windows on the first story, some broken sash cords, intermittent glazing failure, and layers of paint build up. No determination has been made as to if the windows are deteriorated beyond repair. Staff recommends that the owner engage a window restoration professional to determine the condition of the windows and the feasibility for repair.

The proposed windows will be inserts, utilizing the existing jamb which commonly results in a slight reduction to the amount of glazing overall. Exterior trim will not be affected other than a "mini coil over the stops on the exterior". The window pane pattern will be replicated for each window using "interior wood grilles". Regarding the "grilles", in a 1994 COA, a conditional approval was made for the attic windows to be replaced with true divided light. To remain consistent with the precedent that approval set, if approved for replacement, Staff recommends the "full divided light" in lieu of the "interior grilles" so they replicate the depth of the original true divided light. With

a replicated pane pattern and full divided light, the vinyl/wood composite windows resemble the original aesthetic look.

**PRESERVATION INSPECTOR REPORT:** On March 19, 2019, I visited the property located at 1314 E Wayne N. The property owner has begun the COA application process to replace windows on the structure. I had not received a detail of which windows were part of the application, so I created an inventory of the entire structure. I was instructed to inspect from the outside only as the owner has many dogs and she would provide interior photos. Every window has a storm window in place. As a result, I am unable to make a determination on the condition of the windows in their current state. Several of the wood storms on the first floor appeared to be ajar or not closed tightly as the photographs will indicate.

**North (front)**

Third floor-

Two casement windows in dormers, look to be replacements with flat gridwork

Second floor-

Four double hung windows with aluminum storms. Look to be original with divided (2)6/1 and (2)8/1 light pattern

First floor-

Four double hung windows with wood storms. Look to be original with divided 8/1 light pattern

Basement-

Two vinyl

**East (left side from street)**

Third floor-

Half-moon with flat gridwork, not original

Second floor-

Two double hung windows with aluminum storms. Look to be original with 8/1 light pattern

First floor-

Two double hung windows with wood storms. Look to be original with 6/1 light pattern

One replacement window, ill-fitting with spacer to fill void

Basement-

One vinyl

**West (right side from street)**

Third floor-

Two quarter round windows, ill-fitted replacements with flat divisions

Second floor-

Two double hung windows with aluminum storms. Look to be original with 6/1 light pattern

First floor-

Addition has Eight total replacement double hung windows with flat grid 8/1 pattern. These also have aluminum storm windows

**South (rear of house from street)**

Third floor- no windows

Second floor-

Three double hung windows with aluminum storms. Look to be original (2) 6/1 and (1) 8/1 pattern

First floor-

One double hung window with wood storm. Looks to be original with 8/1 pattern

Rear addition-

Triple window bay non-original window

**STANDARDS AND GUIDELINES: EAST WAYNE STREET**

**II. EXISTING STRUCTURES**

**A. WINDOWS AND DOORS**

Window and door frames are of wood or steel (some casements) or in the case of brick structures, stone sills and brick lintels. Where metal or vinyl siding has been applied, window trim has been covered.

Storm windows are of wood and aluminum.

**Required**

**Original windows and doors shall be retained including sashes, lintels, sills, shutters, decorative glass, pediments, hoods, and hardware. When deteriorated beyond repair, they shall be replaced with units and trim resembling the original**

Recommended

Wood frame storm windows and doors painted to match the original should not be used but should not damage existing frames. If new sashes or doors are installed, the existing or original materials, design, and hardware should be used. When metal storm doors are used they should be painted, anodized or coated to match the existing. When awnings are used they should be of canvas material.

Prohibited

Original doors, windows, and hardware shall not be discarded when they can be restored and used in place. New window and door openings which would alter the scale and proportion of the building shall not be introduced. Inappropriate new windows and door features such as aluminum insulating glass combinations that require removal of the original windows and doors shall not be installed.

Not Recommended

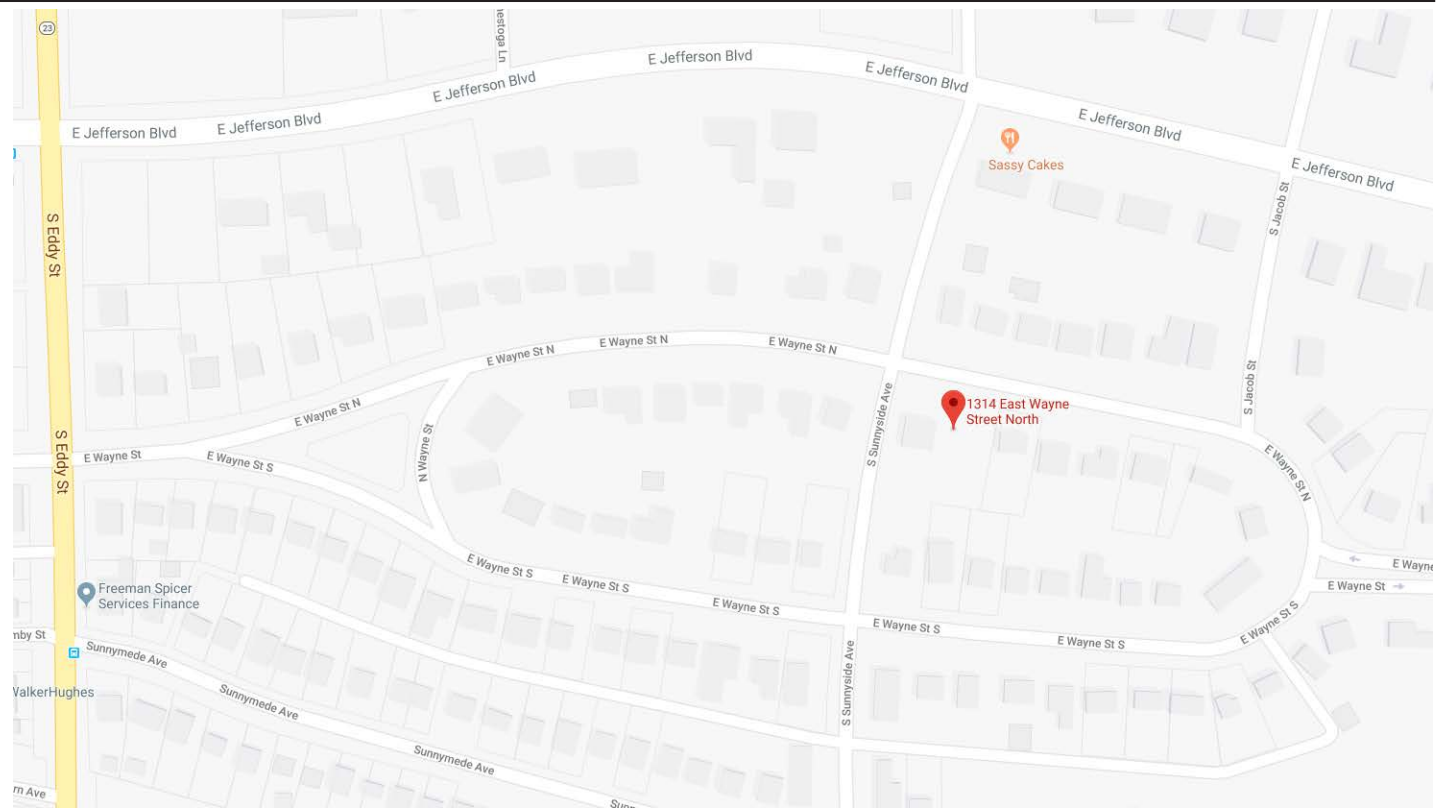
Awnings, hoods, and fake shutters made of metal, vinyl, or fiberglass should not be used if they would detract from the existing character or appearance of the building

**STAFF RECOMMENDATION:** Although the proposed windows resemble the original, without a determination that the original windows are deteriorated beyond repair or that a repair is not economically feasible, per the Standards for East Wayne Street Local Historic District, Staff does not offer a recommendation to the Commission.

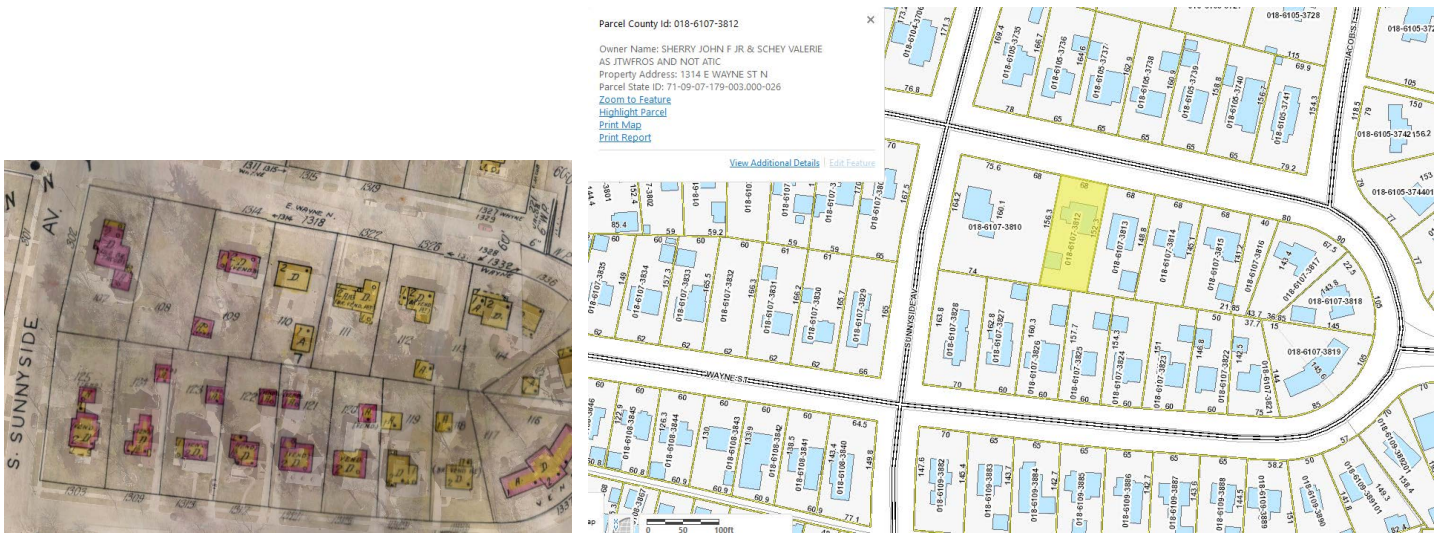
Report compiled by  
Elicia Feasel, Historic Preservation Administrator

# HISTORIC PRESERVATION COMMISSION OF SOUTH BEND AND ST. JOSEPH COUNTY

LOCATION MAP - Map showing location of the property and surrounding area (Google Maps)



AERIAL MAP - highlighted property on map



Sanborn 1960

MACOG 2019

**HISTORIC PRESERVATION COMMISSION  
OF SOUTH BEND AND ST. JOSEPH COUNTY**

FRONT PICTURE (NORTH) - Picture of the front of the building, March 2019.



REAR PICTURE (SOUTH) - Picture of the rear of the building, March 2019.



**HISTORIC PRESERVATION COMMISSION  
OF SOUTH BEND AND ST. JOSEPH COUNTY**

SIDE PICTURE (WEST) - Picture of the side of the building, March 2019.



SIDE PICTURE (EAST) - Picture of the side of the building, March 2019.



**HISTORIC PRESERVATION COMMISSION  
OF SOUTH BEND AND ST. JOSEPH COUNTY**

DETAIL PICTURE (NORTH) - Picture of a front window proposed for replacement, March 2019.



DETAIL PICTURE (NORTH) - Picture of a front window proposed for replacement, March 2019.



**HISTORIC PRESERVATION COMMISSION  
OF SOUTH BEND AND ST. JOSEPH COUNTY**

DETAIL PICTURE (INTERIOR) - Pictures provided by owner of deterioration, March 2019.



"Warped frame won't latch"

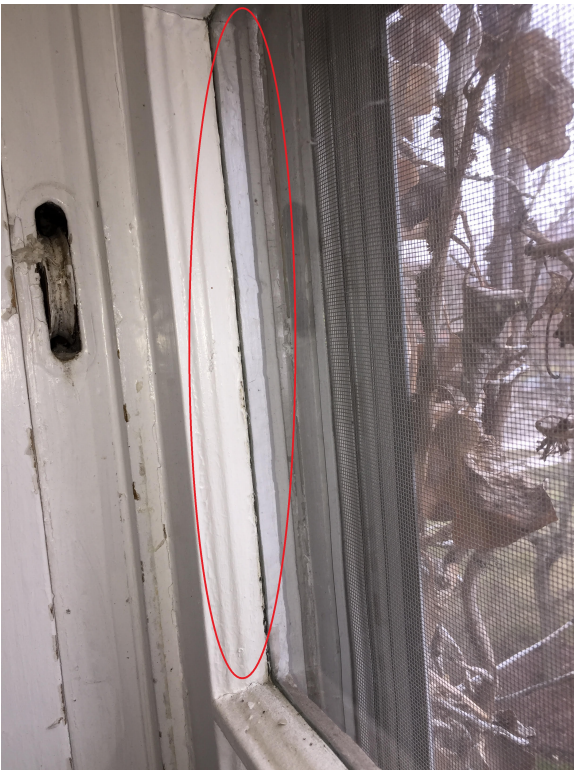


"Warped workaround"

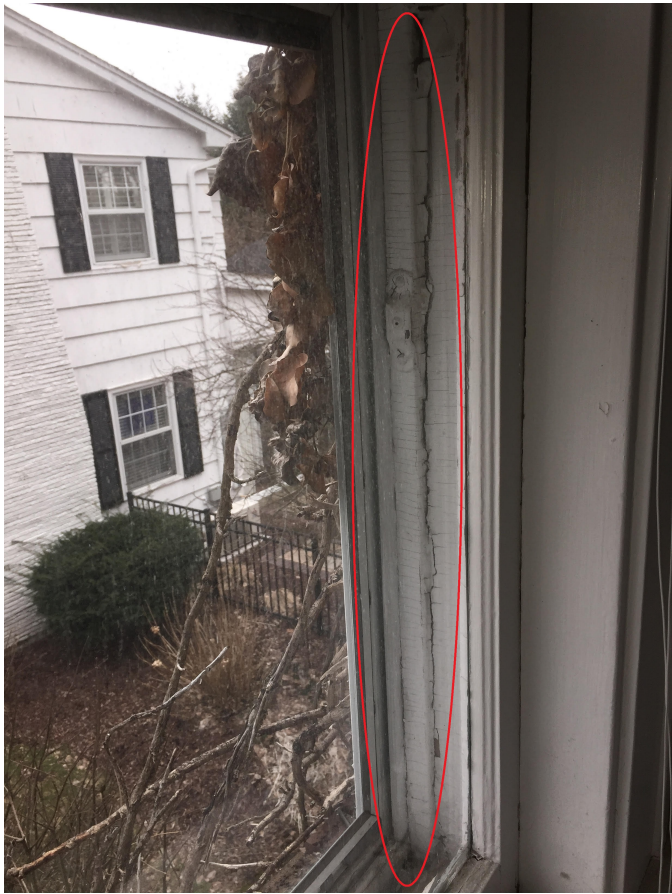


**HISTORIC PRESERVATION COMMISSION  
OF SOUTH BEND AND ST. JOSEPH COUNTY**

DETAIL PICTURE (INTERIOR) - Pictures provided by owner of deterioration, March 2019.



"Frame pulled away from house"



"Rotted frame"

**HISTORIC PRESERVATION COMMISSION  
OF SOUTH BEND AND ST. JOSEPH COUNTY**

DETAIL PICTURE (INTERIOR) - Pictures provided by owner of deterioration, March 2019.



"Inside moisture damage"



**HISTORIC PRESERVATION COMMISSION  
OF SOUTH BEND AND ST. JOSEPH COUNTY**

County—City Building, South Bend, IN 46601  
http://www.southbendin.gov/government/department/community-investment  
Phone: 574/235.9371 Fax: 574/235.9021  
Email: hpcbsjc@southbendin.gov

MAR 14 2019  
Rec 757915  
\$20.00

A Certified Local Government of the National Park Service

Elicia Feasel, Historic Preservation  
Administrator

**APPLICATION FOR A — CERTIFICATE OF APPROPRIATENESS**

**OFFICE USE ONLY>>>>>>DO NOT COMPLETE ANY ENTRIES CONTAINED IN THIS BOX<<<<<<OFFICE USE ONLY**

Date Received: 3/14/19 Application Number: 2019-0329

Past Reviews:  YES (Date of Last Review) \_\_\_\_\_  NO

Staff Approval authorized by: \_\_\_\_\_ Title: \_\_\_\_\_

Historic Preservation Commission Review Date: 4/15/19

Local Landmark  Local Historic District (Name) East Wayne

National Landmark  National Register District (Name) \_\_\_\_\_

Certificate Of Appropriateness:  
 Denied  Tabled  Sent To Committee  Approved and issued: \_\_\_\_\_

Address of Property for proposed work: 1314 E. Wayne St. North, South Bend, IN 46615  
(Street Number—Street Name—City—Zip)

Name of Property Owner(s): Valerie Schey & John Sherry Phone #: 574 210 9623

Address of Property Owner(s): Same as above  
(Street Number—Street Name—City—Zip)

Name of Contractor(s): Andersen Windows Phone #: (317) 552-1334

Contractor Company Name: The Davidson Group/Renewal by Andersen

Address of Contractor Company: 801 Congressional Blvd., Carmel, IN 46032  
(Street Number—Street Name—City—Zip)

Current Use of Building: Single Family home  
(Single Family—Multi-Family—Commercial—Government—Industrial—Vacant—etc.)

Type of Building Construction: Brick  
(Wood Frame—Brick—Stone—Steel—Concrete—Other)

Proposed Work: (more than one box may be checked)  Landscape  New  Replacement (not in-kind)  Demolition

Description of Proposed Work: New windows

Owner e-mail: Care@southbend@gmail.com and/or Contractor e-mail: \_\_\_\_\_

X [Signature] and/or X \_\_\_\_\_  
Signature of Owner Signature of Contractor

By signing this application I agree to abide by all local regulations related to project and to obtain a Building Department Permit, if applicable.

—APPLICATION REQUIREMENTS ARE LISTED ON REVERSE SIDE—

**CONTENTS — DOUBLE-HUNG WINDOW**

Double-Hung Window—General

- Advantages and Applications ..... 3-2
- Exploded View ..... 3-3
- Standard Features ..... 3-4
- Options ..... 3-5
- Grille Options..... 3-8
- Double-Hung Component Color Combination Chart ..... 3-11

Sloped Sill Insert Double-Hung Window ..... 3-12

- Min/Max Sizes ..... 3-13
- Limited Sash Travel and Egress Conformity ..... 3-14
- Clear Opening and Clear Glass Dimensions ..... 3-15

Flat Sill Insert Double-Hung Window ..... 3-17

- Min/Max Sizes ..... 3-18
- Limited Sash Travel and Egress Conformity ..... 3-19
- Clear Opening and Clear Glass Dimensions ..... 3-20

Full-Frame Double-Hung Window..... 3-22

- Min/Max Sizes ..... 3-23
- Limited Sash Travel and Egress Conformity ..... 3-24
- Clear Opening and Clear Glass Dimensions ..... 3-25

Double-Hung and Related Patents..... 3-27

**DOUBLE-HUNG WINDOW**

## ADVANTAGES AND APPLICATIONS

A double-hung window consists of two vertically sliding sash in a single frame. Both sash are counterbalanced by a spring-powered block-and-tackle balance mounted on the side of each sash. Tilt latches for each sash allow inward tilting for easy cleaning. Upper and lower sash are securely closed by use of a cam-type sash lock. An insect screen is installed into the outside track.



*Double-Hung  
Replacement Windows*

**ADVANTAGES**

- Both sash can be operated for ventilation at top and bottom of window.
- Both sash can be tilted inward for easy cleaning.
- Patented Fibrex® material is stronger than vinyl, providing greater durability.
- Fibrex material with low-maintenance capstock gives a rich, low-luster finish to sash and frame, similar to painted wood.
- Smooth radius surfaces on the frame and sash are pleasing to the eye and easier to clean.
- Mortise-and-tenon appearance on the interior and exterior sash corners gives a traditional, hand-crafted look.
- Full-perimeter weatherstrip provides superior weathertightness while still allowing easy sash operation.
- Sash are counterbalanced by a spring-powered block-and-tackle balance mounted on the side and matched to the weight of each individual sash.

**APPLICATIONS**

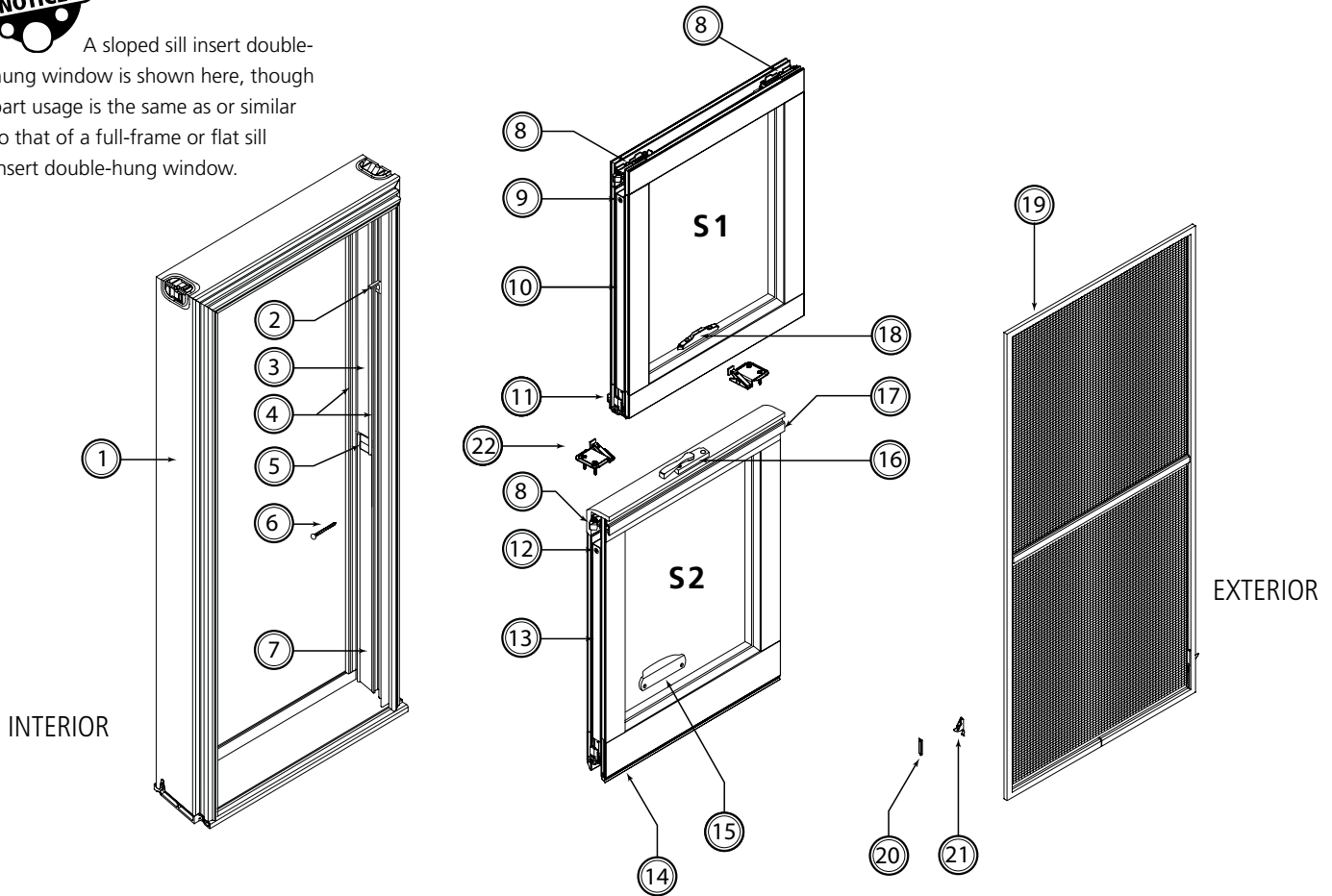
- Excellent choice for homes and condominiums where traditional styling is important; appropriate for many restoration projects.
- Suitable in areas facing walkways, decks and other traffic areas because sash do not project outward.
- Convenient in areas where the sash need to be cleaned from the interior.
- Visually compatible with other Renewal by Andersen® products.

**EXPLODED VIEW**

DOUBLE-HUNG WINDOW



A sloped sill insert double-hung window is shown here, though part usage is the same as or similar to that of a full-frame or flat sill insert double-hung window.



**DOUBLE-HUNG COMPONENTS**

- |  |  |  |
|--|--|--|
| 1. Frame (insert)  | 8. Tilt latch                            | 16. Sash lock                                      |
| 2. Wash assist   | 9. Upper balance screw                   | 17. Interior sash interlock (lower sash)           |
| 3. Side jamb liner weatherstrip (upper)                          | 10. Balance (upper sash)                 | 18. Sash keeper                                    |
| 4. Side jamb liner (interior and exterior sash tracks)           | 11. Exterior sash interlock (upper sash) | 19. Insect screen                                  |
| 5. Side cover check rail weatherstrip                            | 12. Lower balance screw                  | 20. Universal insect screen latch retainer         |
| 6. Balance end clip screw  | 13. Balance (lower sash)                 | 21. Insect screen latch                            |
| 7. Side jamb liner weatherstrip (lower) with integrated fin pile | 14. Bottom rail weatherstrip             | 22. Child safety opening control device (optional) |
|  | 15. Sash lift (optional)                 |  |

**STANDARD FEATURES**

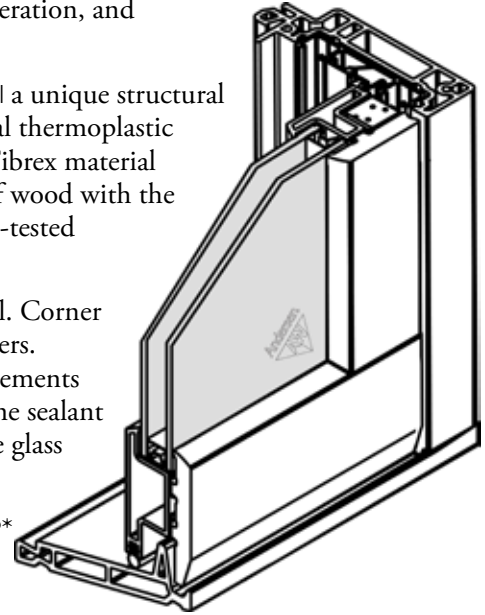
DOUBLE-HUNG WINDOW



A sloped sill insert double-hung window corner section is shown here, though **standard features are the same as for flat sill insert or full-frame** double-hung windows.

Described below are features that contribute to the double-hung window's low maintenance, energy efficiency, ease of operation, and pleasing appearance.

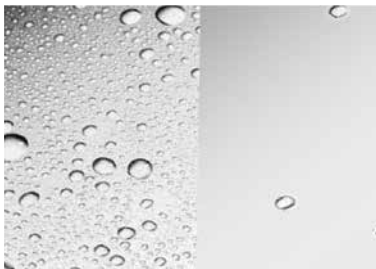
- **Frame** – Made of rigid Fibrex® material a unique structural composite of wood fibers and a special thermoplastic polymer. Developed by Andersen®, Fibrex material combines the strength and stability of wood with the low-maintenance features of our time-tested Perma-Shield® cladding.
- **Sash** – Constructed of Fibrex material. Corner keys provide durable, watertight corners. The mortise and tenon joinery complements the frame. A high-performance silicone sealant provides a watertight seal between the glass and sash.
- **Glazing** – High-Performance™ LoE<sup>4</sup>\* glass with an inert, energy-efficient gas, is standard for every window. See Options on page 3-6 for other glass choices.



\*LoE<sup>4</sup> is a registered trademark of Cardinal IG Company.

- **Glass spacer** – The patented low-conductivity spacer is made of stainless steel and resists heat transfer four to five times better than aluminum spacers used by many other manufacturers.
- **Low-maintenance exterior coating** – A highly durable microscopic coating of titanium dioxide (TiO<sub>2</sub>) is applied to the exterior glass surface during the glass manufacturing process. High-Performance Low-E4™ glass is self-activating by exposure to sunlight. When activated by sunlight, it loosens dirt, dust and organic material which are then washed away by rain. The glass dries faster and reduces water spotting by up to 99%. (See photo on this page.)

The unique exterior coating works similarly to a rechargeable battery. Once the coating is activated or “charged,” it will hold its activation for some time. The more sunlight it receives, the better the activation. When re-exposed to sunlight, the coating will recharge after periods of lower sunlight levels.



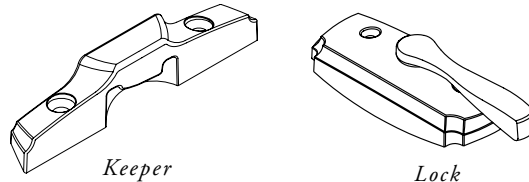
Regular Glass

High-Performance™ Low-E4™ Glass

**STANDARD FEATURES, cont.**

DOUBLE-HUNG WINDOW

- **Removable protective film** – Packaging features a clear protective film that is factory applied to both the interior and exterior glass surfaces to help protect the glass from shipping and installation damage.
- **Weatherstrip** – A dual system of a foam-filled bulb applied to the sash frame and a constant-force low-friction weatherstrip applied to the frame provide a tight seal.



- **Sash Lock and Keeper** – The zinc die cast dual cam-type sash lock, mounted at center of the meeting rail on the interior sash, engages easily into the keeper mounted on the center of the meeting rail on the exterior sash. The Double-hung Window Component Color Combination Chart on page 3-11 shows the hardware color for each window color combination.

**OPTIONS**

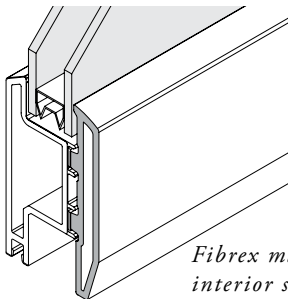
DOUBLE-HUNG WINDOW

The following options are available for all Renewal by Andersen® double-hung windows:

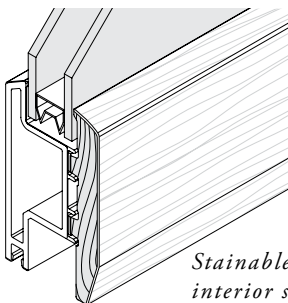
- **Dual-Colors and Stainable Wood Interior Veneers** – Dual-color windows are available that have different interior and exterior colors. Stainable wood interior veneers are also available in oak, maple, and engineered pine. The Double-Hung Window Component Color Combination Chart on page 3-11 shows available color combinations and the default color of individual components for these combinations. Alternative component (e.g., insect screens, grilles, hardware, side jams) color combinations are available upon request.

Painting and staining guidelines for Fibrex® material and stainable wood interiors are available in this manual, the *Product Installation Manual* and in the *Care and Maintenance Guide*.

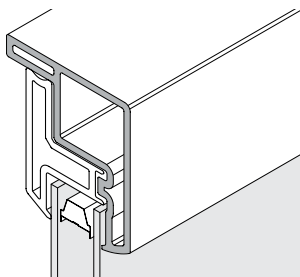
- **Traditional Square Check Rail** – Optional square-shaped check rail available in oak, maple, engineered pine veneer and Fibrex material interior finishes offers a classic flat surface appearance. These classic lines create the old world look, using the advanced technology of today. This option can be used with any other double-hung lock components or grille accessories.
- **Rounded Contemporary Check Rail** – Original rounded contemporary check rail is still available (as an option) in same color and wood species.
- **TruScene® Insect Screen** – Micro-fine stainless steel mesh (25 x 25 per inch mesh) that provides over 50% more clarity than standard Andersen insect screens.



*Fibrex material interior sash*



*Stainable wood interior sash*



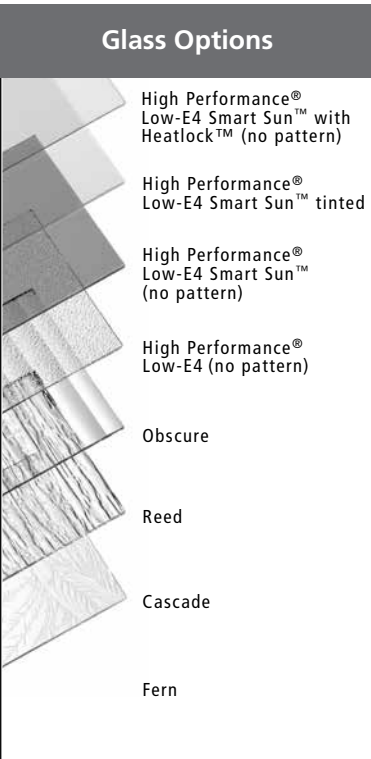
*Traditional Fibrex Material Square Check Rail*



**OPTIONS, cont.**

DOUBLE-HUNG WINDOW

<b>Double-Hung Window</b>	<b>Full Insect Screen</b>	<b>All sash ratios</b>	<b>Restrictions</b> All heights available for unit widths less than or equal to 50-1/4". All widths available for unit heights less than or equal to 48-5/8".
<b>Double-Hung Window</b>	<b>Half Insect Screen</b>	<b>All sash ratios</b>	All sizes available, no restrictions



- **Aluminum Insect Screen Cloth** – Durable aluminum screen cloth (18 x 16 per inch mesh) in a glare-resistant charcoal gray.
- **Half Insect Screen** – A half insect screen is available that only covers the lower sash. The half screen does not impede the operation of the upper sash.
- **Decorative Glass Patterns** – Standard windows have no textured glass pattern whatsoever. Optional textured patterns are as follows:
  - Obscure (not available on double-hung windows taller than 86")
  - Reed
  - Cascade
  - Fern (not available on double-hung windows wider than 50-5/16")
- **Glass Coating** – High-Performance™ Low-E4™ coating is standard with all windows. Optional glazings are as follows:
  - Clear (no coating)
  - SmartSun™
  - High-Performance Low-E4 Smart Sun™ tinted coating
  - High Performance® Low-E4 Smart Sun™ with Heatlock™

\* High Performance® Low-E4 Smart Sun™ with Heatlock™ not available with decorative glass patterns
- **Tempered Glass** – Tempering is an option for all available glass options. Untempered glass is standard.

**OPTIONS, cont.**

DOUBLE-HUNG WINDOW

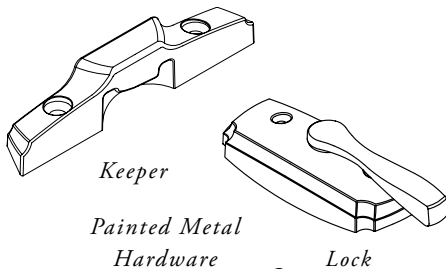
Unavailable Glass Patterns		
Pattern	on windows wider than	or windows taller than
Reed*	56-7/8"	100-7/8"
Cascade*	56-7/8"	84-7/8"
Fern	56-7/8"	84-7/8"
Obscure	56-7/8"	84-7/8"

\* Pattern is directional



When finger lifts are desired, order the window with **no** lifts. Finger lifts are then installed in the field after the window installation.

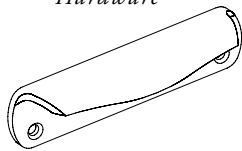
- **Glass Breather Tubes** – Breather tubes are available for glass intended for high-altitude installations. It is important to note that breather tubes will decrease the thermal performance of the unit. Refer to the Technical Data (Section 8) in this Spec and Tech Manual for altitude specifics.
- **Sash Lock** – A single zinc-cast metal lock is available in White, Stone and Canvas colors. Units narrower than 22-13/16" have a single lock. For units 22-13/16" wide or wider, a second lock is available as an option. For units wider than 45-9/16", a second lock is required.
- **Sash Lift** – One or two sash lifts may be mounted to the bottom rail of the lower sash. Can be specified, available in White, Stone, or Canvas colors or Estate™ finishes.
- **Estate™ Finish Hardware** – Estate finish hardware is available for all operating windows and is available in high performance bright brass, antique brass, high performance satin nickel, distressed nickel, brushed chrome, polished chrome, distressed bronze, oil-rubbed bronze and dark bronze. Hardware in each of the finishes is electroplated and/or modified to obtain the desired look. The Estate hardware components for double-hung windows are listed below:
  - **Lock and Keeper** – The zinc cast, plated lock and keeper provide elegant Estate styling that beautifully complements not only the window, but matches any Estate hardware found on Andersen® patio doors.
  - **Hand Lift** – Similar to the standard lift, the Estate hand lift provides an easy gripping surface with which to operate the window.
  - **Finger Lifts** – These smaller, more traditional looking lifts provide a different aesthetic option for a grasp to operate the window. These lifts are typically used in pairs.
  - **Opening Control Device** – Field-applied device restricts sash opening to 4 inches. This device will allow full sash opening when disengaged and will re-engage when sash is closed.



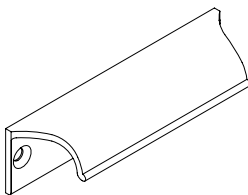
*Keeper*

*Painted Metal Hardware*

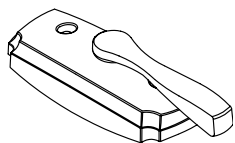
*Lock*



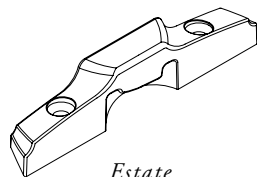
*Sash hand lift*



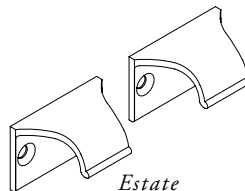
*Estate™ hand lift*



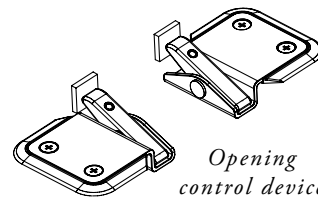
*Estate lock*



*Estate keeper*



*Estate finger lifts (see notice above)*



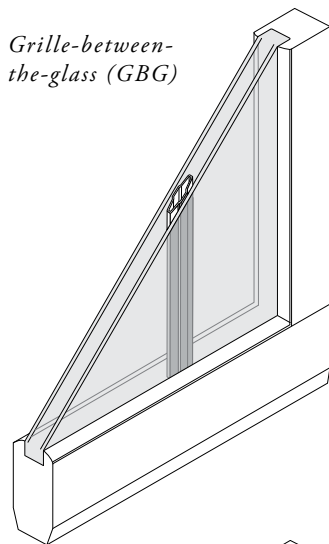
*Opening control device*

**OPTIONS, cont.**

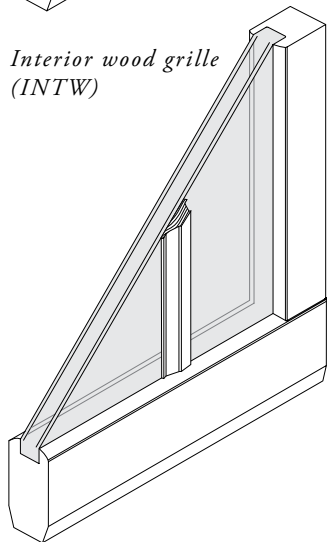
DOUBLE-HUNG WINDOW

**Available Grille Types**

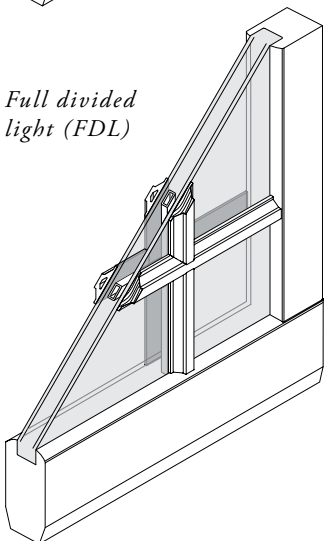
Three grille types are available. The interior and exterior sides of the grilles are color-coordinated with each side of the window frame. Consult the color combination charts in each window product section for detailed color information.



*Grille-between-the-glass (GBG)*



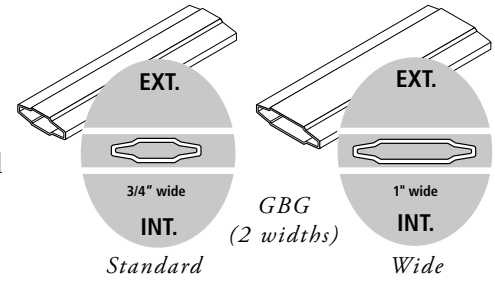
*Interior wood grille (INTW)*



*Full divided light (FDL)*

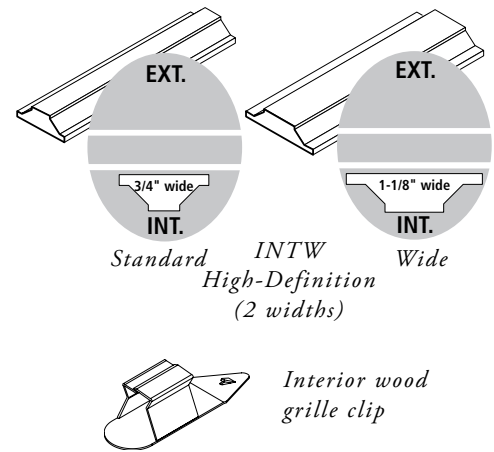
**Grille-Between-the-Glass (GBG)**

Sculpted aluminum grille members are manufactured between the glass panes, and are available in two widths. Enamel finish replicates interior and exterior face of window. If wood interior, interior facing surface will be gray.



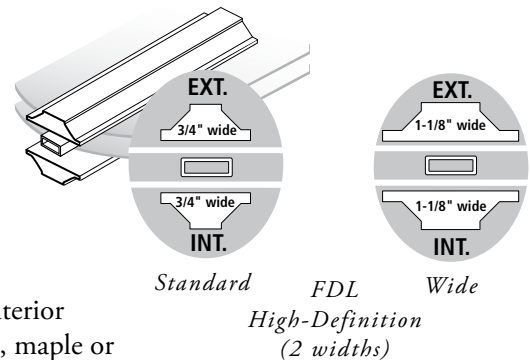
**Interior Wood Grille (INTW)**

With the option of hardwood maple or oak, these grilles snap into clips placed around the interior side of the sash and may be removed to clean the glass. These high-definition interior wood grilles are available in two different widths.



**Full Divided Light (FDL) Grille**

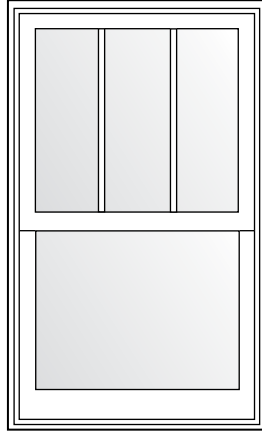
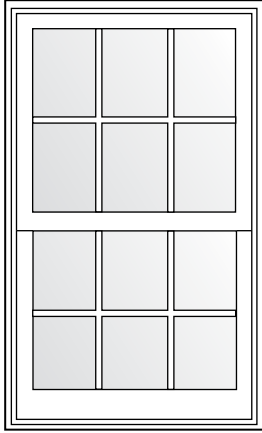
FDL grilles provide the classic look of a true divided light window. The high-definition exterior grille is made from Fibrex® material and is available in two different widths. Between the glass panes, an aluminum spacer stands slightly away from each pane to maintain thermal performance. The high-definition interior wood grille is available in hardwood, maple or oak and in two different widths, and may be permanently applied or removable.



**OPTIONS, cont.**

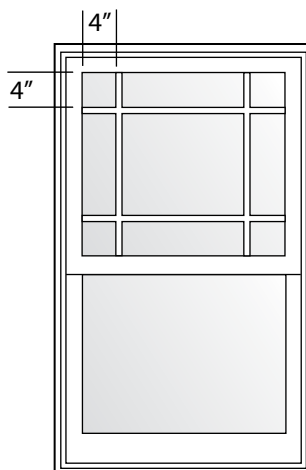
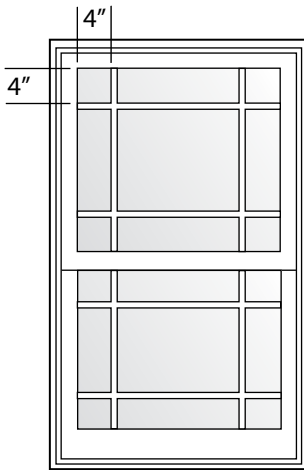
DOUBLE-HUNG WINDOW

- Available Grille Patterns – Grille pattern options include colonial, prairie, and modified prairie.



**COLONIAL**

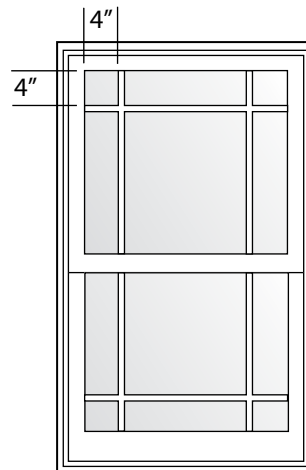
Refer to colonial pattern grilles by pattern name and “grille lites wide by grille lites high” for each sash. For the examples shown, the left window would be “colonial pattern, 3 by 2, upper and lower sash”. For the example to the right, “colonial pattern, 3 by 1 on the upper sash, no grille on the lower sash”.



**PRAIRIE**

Regardless of sash size, all prairie grilles intersect to form 4" squares of visible glass in the corners of the sash. Prairie grilles are available on one or both sash.

The prairie grille pattern is not available on double-hung windows narrower than 20".



**MODIFIED PRAIRIE**

Regardless of sash size, all modified prairie grilles intersect to form 4" squares of visible glass. Modified prairie grilles are available for one or both sash.

The modified prairie grille pattern is not available on double-hung windows narrower than 20".

**OPTIONS, cont.**

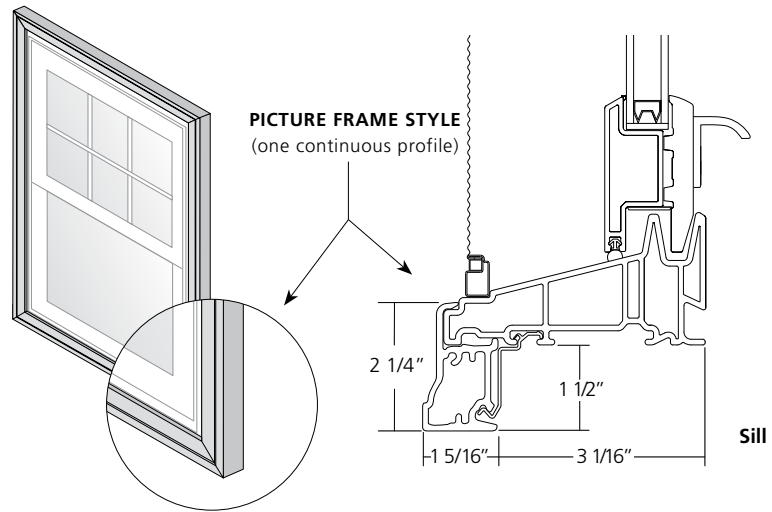
DOUBLE-HUNG WINDOW

- **Exterior brick mould** – Fibrex® material brick mould is available in two configurations, picture frame and traditional style, as an exterior trim option for full-frame windows. Brick mould is available on insert frame windows in picture frame style only.
- **Overfit brick mould** – Fibrex material is available as an exterior trim option for insert flat sill only windows in picture frame style.

**FULL-FRAME BRICK MOULD**

Full-frame brick mould is available in two configurations:

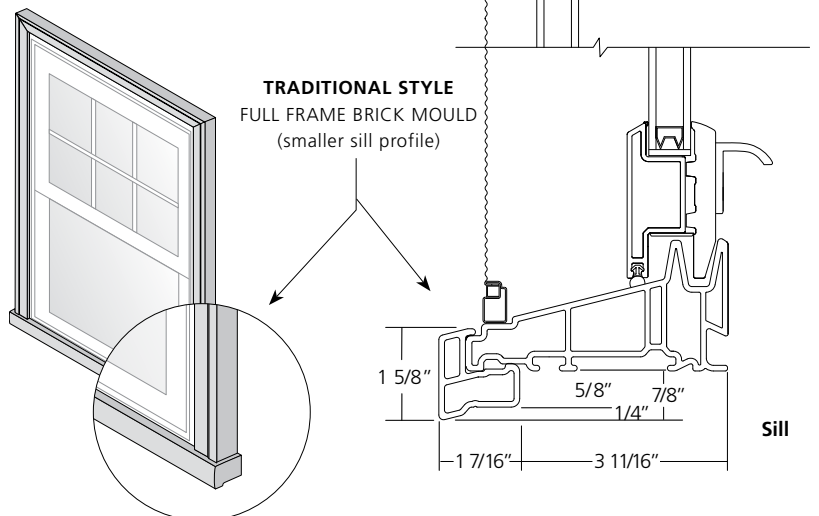
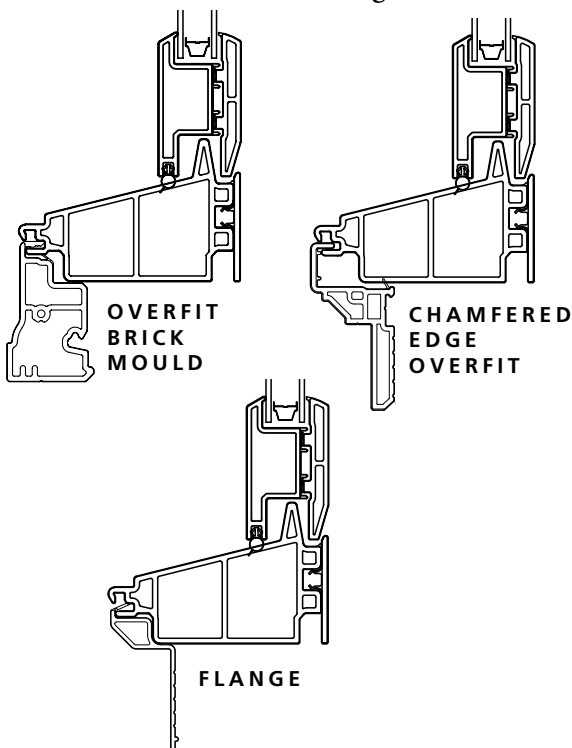
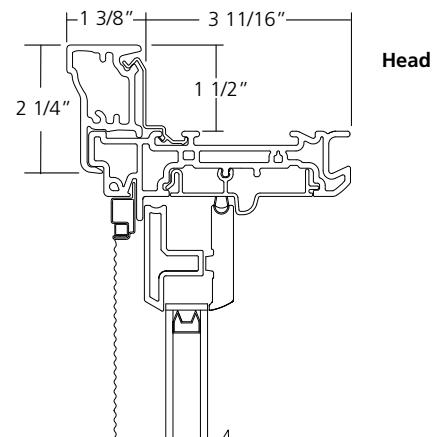
- **Picture Frame Style** – The same brick mould profile is used all the way around the window.
- **Traditional Style** – A thinner sill profile that runs completely under the side brick mould pieces is used reminiscent of old, traditional window installations.



**INSERT-FRAME BRICK MOULD**

- **Overfit Brick Mould** – Fibrex material overfit brick mould is available as an exterior trim option for insert (flat sill only) window in picture frame style.

- **Overfit Flange**
- **Chamfered Overfit Flange**



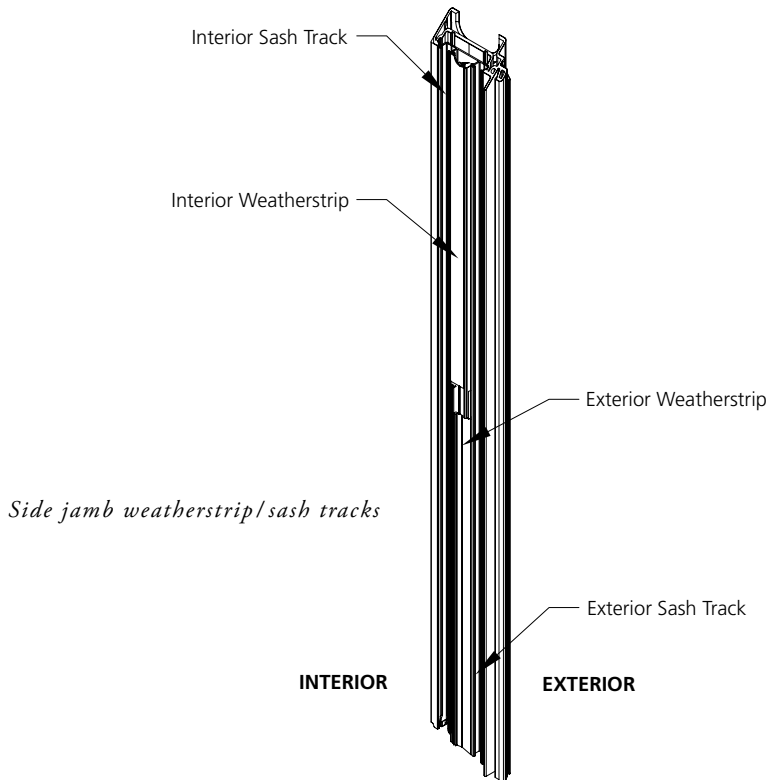
**WINDOW COMPONENT COLOR COMBINATION CHART**

DOUBLE-HUNG WINDOW

	Window Color		Components		Grille Between Glass		Interior Wood & Full Divided Light		Headliner		Side Jamb Components	
	Exterior	Interior	Insect Screen Frame	Hardware	Exterior	Interior	Exterior	Interior	Exterior	Interior	Lower Exterior	Upper Interior
<b>Single Color</b>	White	White	White	White	White	White	White	White	White	White	White/White	White/White
	Canvas	Canvas	Canvas	Canvas	Canvas	Canvas	Canvas	Canvas	White	White	White/White	White/White
	Sandtone	Sandtone	Sandtone	Stone	Sandtone	Sandtone	Sandtone	Sandtone	Gray	Gray	Gray/Gray	Gray/Gray
	Terratone	Terratone	Terratone	Stone	Terratone	Terratone	Terratone	Terratone	Gray	Gray	Gray/Gray	Gray/Gray
<b>Dual Color</b>	Dark Bronze	Dark Bronze	Dark Bronze	Dark Bronze	Dark Bronze	Dark Bronze	Dark Bronze	Dark Bronze	Gray	Gray	Gray/Gray	Gray/Gray
	Canvas	White	Canvas	White	Canvas	White	Canvas	White	White	White	White/White	White/White
	Sandtone	↓	Sandtone	↓	Sandtone	↓	Sandtone	↓	↓	↓	Gray/Gray	Gray/White
	Terratone	↓	Terratone	↓	Terratone	↓	Terratone	↓	↓	↓	White/White	↓
	Cocoa Bean	↓	Cocoa Bean	↓	Cocoa Bean	↓	Cocoa Bean	↓	↓	↓	Gray/Gray	↓
	Dark Bronze	↓	Dark Bronze	↓	Dark Bronze	↓	Dark Bronze	↓	↓	↓	Gray/Gray	↓
	Forest Green	↓	Forest Green	↓	Forest Green	↓	Forest Green	↓	↓	↓	Gray/Gray	↓
	Black	↓	Black	↓	Black	↓	Black	↓	↓	↓	Gray/Gray	↓
	Red Rock	↓	Red Rock	↓	Red Rock	↓	Red Rock	↓	↓	↓	Gray/Gray	Gray/White
	White	Canvas	White	Canvas	White	Canvas	White	Canvas	Canvas	White	White/White	White/White
	Sandtone	↓	Sandtone	↓	Sandtone	↓	Sandtone	↓	Canvas	↓	Gray/Gray	Gray/White
	Terratone	↓	Terratone	↓	Terratone	↓	Terratone	↓	Canvas	↓	↓	↓
	Cocoa Bean	↓	Cocoa Bean	↓	Cocoa Bean	↓	Cocoa Bean	↓	White	↓	↓	↓
	Dark Bronze	↓	Dark Bronze	↓	Dark Bronze	↓	Dark Bronze	↓	White	↓	↓	↓
	Forest Green	↓	Forest Green	↓	Forest Green	↓	Forest Green	↓	White	↓	↓	↓
	Black	↓	Black	↓	Black	↓	Black	↓	White	↓	↓	↓
Red Rock	↓	Red Rock	↓	Red Rock	↓	Red Rock	↓	↓	↓	↓	↓	
<b>Stainable Wood Interiors</b>	White	Wood*	White	Stone	White	Sandtone	White	Wood**	Gray	Wood	White/White	Wood/White
	Canvas	↓	Canvas	↓	Canvas	↓	Canvas	↓	↓	↓	White/White	Wood/White
	Sandtone	↓	Sandtone	↓	Sandtone	↓	Sandtone	↓	↓	↓	Gray/Gray	Wood/Gray
	Terratone	↓	Terratone	↓	Terratone	↓	Terratone	↓	↓	↓	↓	↓
	Cocoa Bean	↓	Cocoa Bean	↓	Cocoa Bean	↓	Cocoa Bean	↓	↓	↓	↓	↓
	Dark Bronze	↓	Dark Bronze	↓	Dark Bronze	↓	Dark Bronze	↓	↓	↓	↓	↓
	Forest Green	↓	Forest Green	↓	Forest Green	↓	Forest Green	↓	↓	↓	↓	↓
	Black	↓	Black	↓	Black	↓	Black	↓	↓	↓	↓	↓
	Red Rock	↓	Red Rock	↓	Red Rock	↓	Red Rock	↓	↓	↓	↓	↓

Alternative component and grille color combinations for each frame/sash color are available upon request

\* Wood interiors available in: pine, maple and oak  
 \*\* Pine and maple interiors will use maple species interior grilles. Oak interiors will use oak species interior grilles

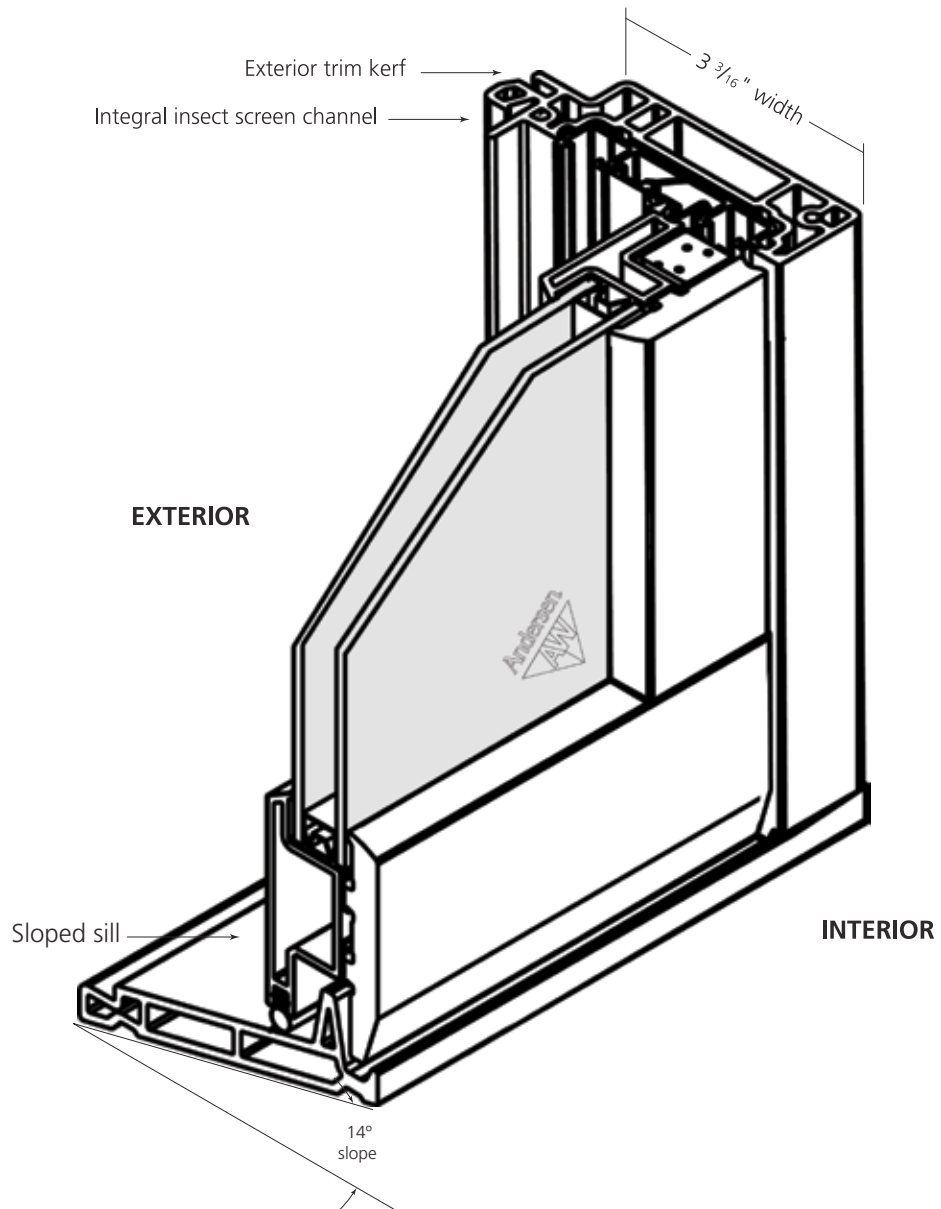


*Side jamb weatherstrip/sash tracks*

**SLOPED-SILL INSERT DOUBLE-HUNG WINDOW**

When the old window frame is solid and/or interior or exterior trim needs to be saved, an insert window installation is appropriate. These installations are also typically less disruptive to the home. A typical installation requires removing the old sash and any interfering hardware or trim from the existing window frame.

The insert frame has an exterior trim kerf to facilitate the use of exterior trim or aluminum coil stock. The 14° sill angle and 3-3/16" frame width fit within the 3-1/4" pocket that many old window frames have.



**MIN / MAX SIZES**

DOUBLE-HUNG WINDOW | SLOPED SILL INSERT



Certain window sizes may have limited sash travel. Refer to the charts on the following page, or call a customer service associate, or see the RbA Extranet for detailed information on limited sash travel and egress conformity in specific window applications.



**Custom check rail heights** may be specified to achieve different visible sash ratios, via NSPR.

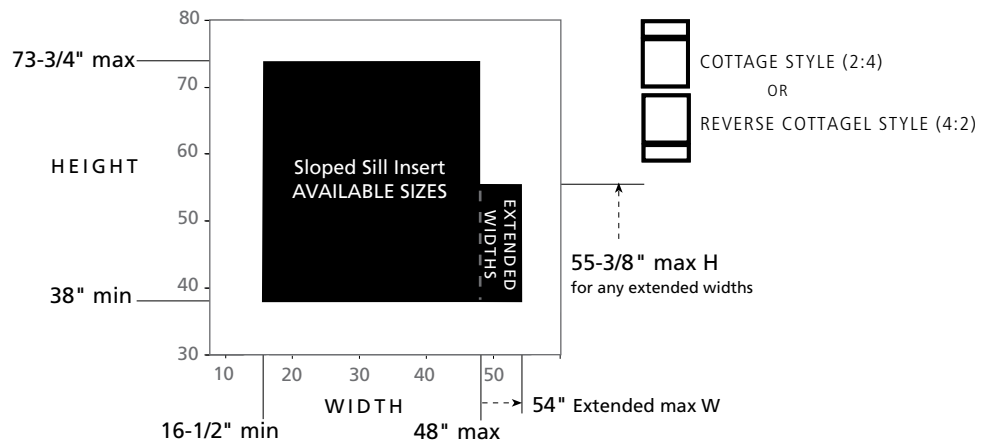
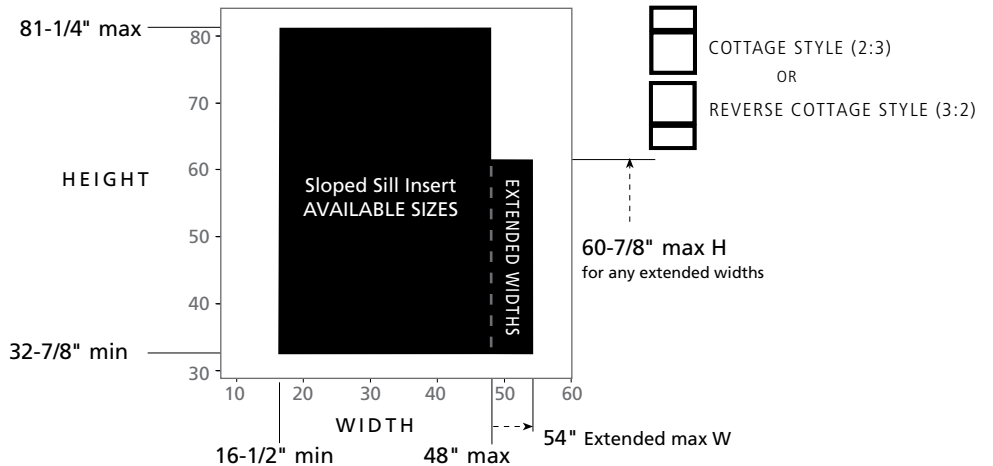
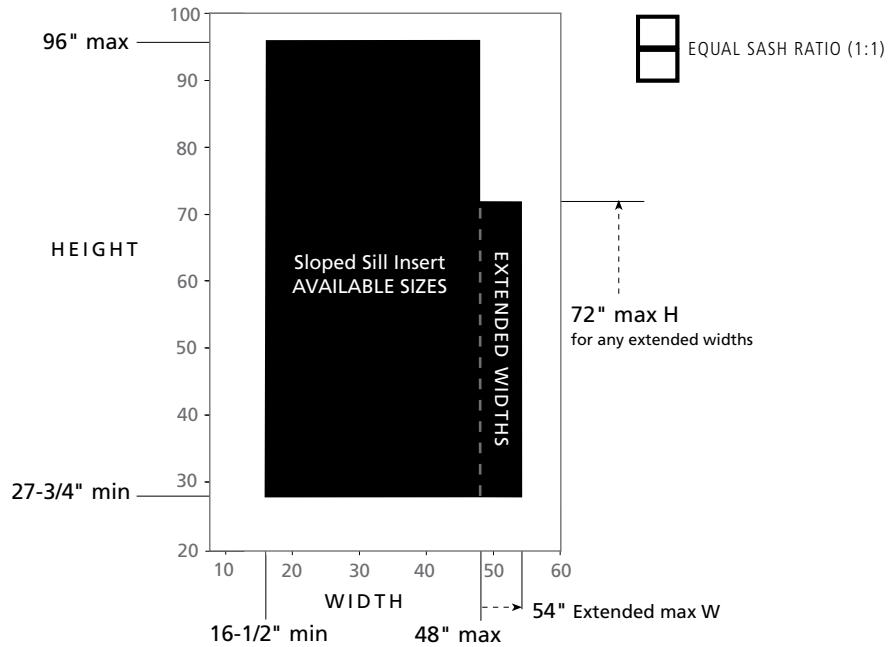
**Do not confuse sash ratio and colonial grille pattern** designations. Sash ratio refers to the size relationship between upper and lower sash. Grille pattern refers to the number of lites in a colonial pattern grille.

**\* Two locks required on units greater than or equal to 45-9/16"**

**\*\* Two locks not available on units narrower than 22-13/16"**

**\*\*\* A second lock is available as an option for units greater than 22-13/16"**

**MIN / MAX SIZES**





**LIMITED SASH TRAVEL AND EGRESS CONFORMITY**

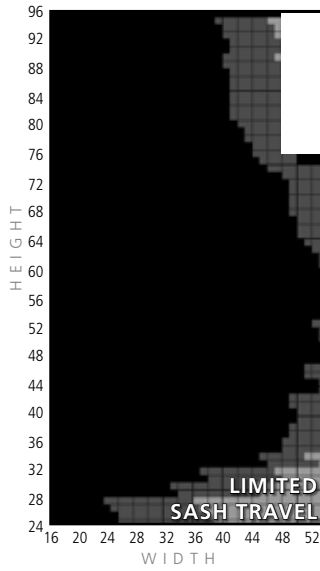
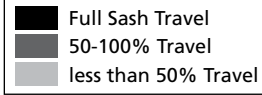
DOUBLE-HUNG WINDOW

SLOPED SILL INSERT

Use the charts in the left column to determine if unit will have limited sash travel (lower sash only).

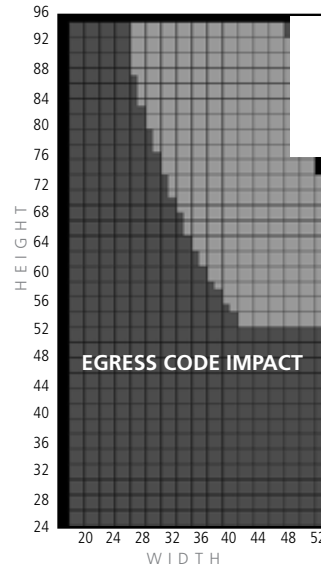
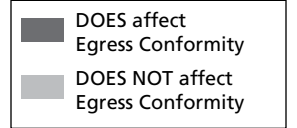
**EQUAL (1:1)  
Sash Ratio**

SASH TRAVEL IMPACT



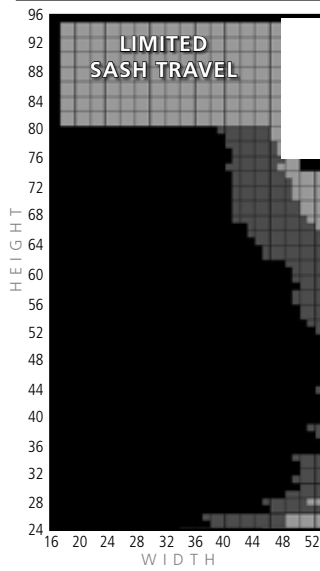
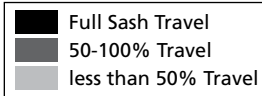
**EQUAL (1:1)  
Sash Ratio**

EGRESS CONFORMITY IMPACT



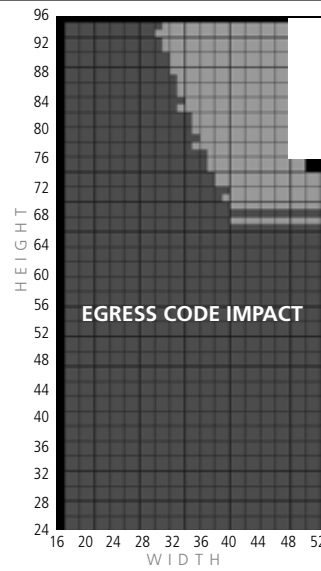
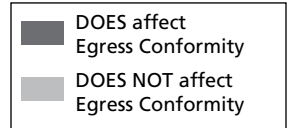
**2:3 or 3:2 Sash Ratio  
COTTAGE or REVERSE  
COTTAGE**

SASH TRAVEL IMPACT



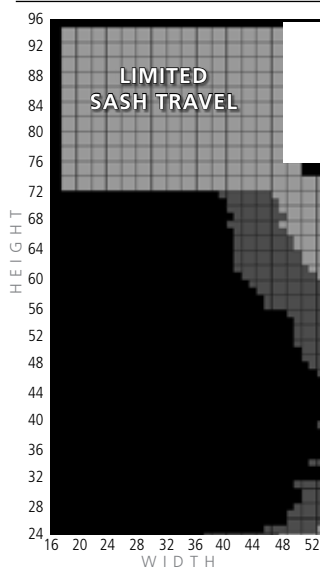
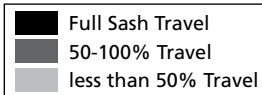
**2:3 or 3:2 Sash Ratio  
COTTAGE or REVERSE  
COTTAGE**

EGRESS CODE IMPACT



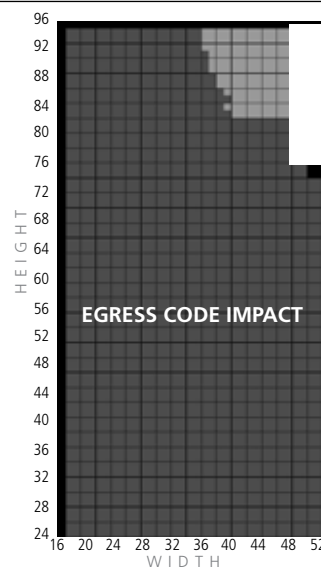
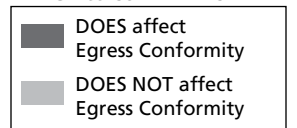
**2:4 or 4:2 Sash Ratio  
COTTAGE or REVERSE  
COTTAGE**

SASH TRAVEL IMPACT



**2:4 or 4:2 Sash Ratio  
COTTAGE or REVERSE  
COTTAGE**

EGRESS CODE IMPACT



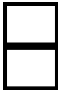


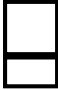

**CLEAR OPENING AND CLEAR GLASS DIMENSIONS**  
 DOUBLE-HUNG WINDOW | SLOPED SILL INSERT

To determine the clear opening dimensions or clear glass size of either sash, follow the steps below.

**1.** Determine **Unit Width (W)** and **Unit Height (H)**.



**2.** Determine the appropriate **Check Rail Height (CRH)**:

Sloped Sill Double-Hung Check Rail Height (CRH)	
 <b>EQUAL (1:1) Sash Ratio</b>	Check Rail Height = $\left(\frac{\text{Height}}{2}\right) - 0.874$
 <b>COTTAGE (2:3) Sash Ratio</b>	Check Rail Height = $\left(\frac{\text{Height} \times 2}{5}\right) - 0.25$
 <b>COTTAGE (2:4) Sash Ratio</b>	Check Rail Height = $\left(\frac{\text{Height}}{3}\right) + 0.161$
 <b>REVERSE COTTAGE (3:2) Sash Ratio</b>	Check Rail Height = $\left(\frac{\text{Height} \times 3}{5}\right) - 1.5$
 <b>REVERSE COTTAGE (4:2) Sash Ratio</b>	Check Rail Height = $\left(\frac{\text{Height} \times 2}{3}\right) - 1.94$



**Custom check rail heights** are available upon request.

For most areas, **egress opening codes** dictate minimum clear opening width, height, and square feet. Check with your local code officials to determine the precise egress codes for each home.

**3.** Using the Check Rail Height (CRH) found in Step 2, calculate **Clear Opening** and/or **Clear Glass** dimensions:

Determining Clear Opening Dimensions (to assess egress code compliance)							
<b>CLEAR OPENING WIDTH (inches)</b>	= Width - 3.188						
<b>CLEAR OPENING HEIGHT (inches)</b>	<table style="border: none;"> <tr> <td style="border: none;"> <table style="border: none;"> <tr> <td style="border: none;">EQUAL (1:1) Sash Ratio</td> <td rowspan="2" style="font-size: 3em; vertical-align: middle;">}</td> <td rowspan="2" style="border: none;">= Check Rail Height - 2.875</td> </tr> <tr> <td style="border: none;">COTTAGE (2:3 or 2:4) Sash Ratio</td> </tr> </table> </td> <td style="border: none;">= Height - Check Rail Height - 2.75</td> </tr> </table>	<table style="border: none;"> <tr> <td style="border: none;">EQUAL (1:1) Sash Ratio</td> <td rowspan="2" style="font-size: 3em; vertical-align: middle;">}</td> <td rowspan="2" style="border: none;">= Check Rail Height - 2.875</td> </tr> <tr> <td style="border: none;">COTTAGE (2:3 or 2:4) Sash Ratio</td> </tr> </table>	EQUAL (1:1) Sash Ratio	}	= Check Rail Height - 2.875	COTTAGE (2:3 or 2:4) Sash Ratio	= Height - Check Rail Height - 2.75
<table style="border: none;"> <tr> <td style="border: none;">EQUAL (1:1) Sash Ratio</td> <td rowspan="2" style="font-size: 3em; vertical-align: middle;">}</td> <td rowspan="2" style="border: none;">= Check Rail Height - 2.875</td> </tr> <tr> <td style="border: none;">COTTAGE (2:3 or 2:4) Sash Ratio</td> </tr> </table>	EQUAL (1:1) Sash Ratio	}	= Check Rail Height - 2.875			COTTAGE (2:3 or 2:4) Sash Ratio	= Height - Check Rail Height - 2.75
EQUAL (1:1) Sash Ratio	}			= Check Rail Height - 2.875			
COTTAGE (2:3 or 2:4) Sash Ratio							
<b>CLEAR OPENING AREA (ft²)</b>	= $\frac{\text{Clear Opening Width} \times \text{Clear Opening Height}}{144}$						

Clear Opening Widths are often called **"Egress Opening"** Dimensions.

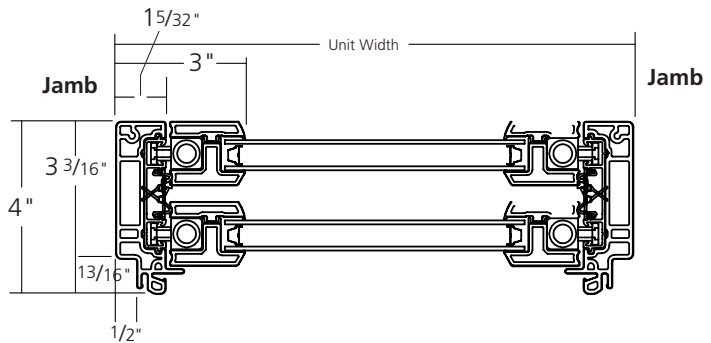
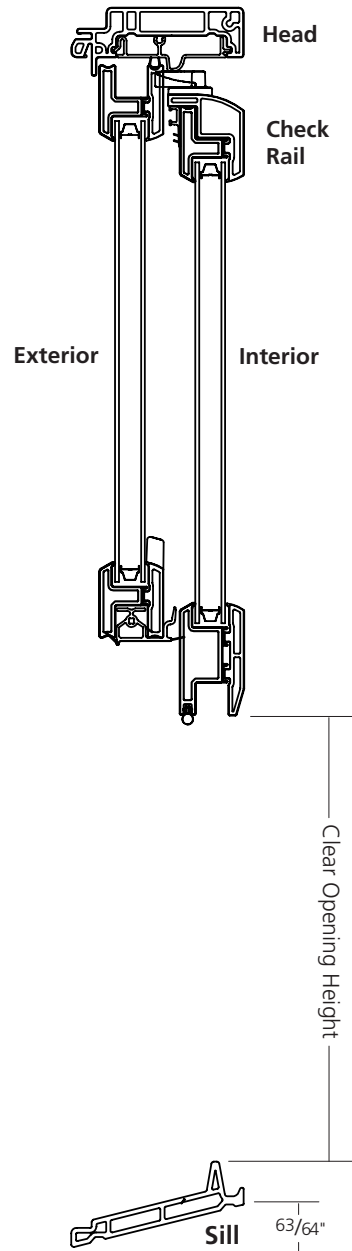
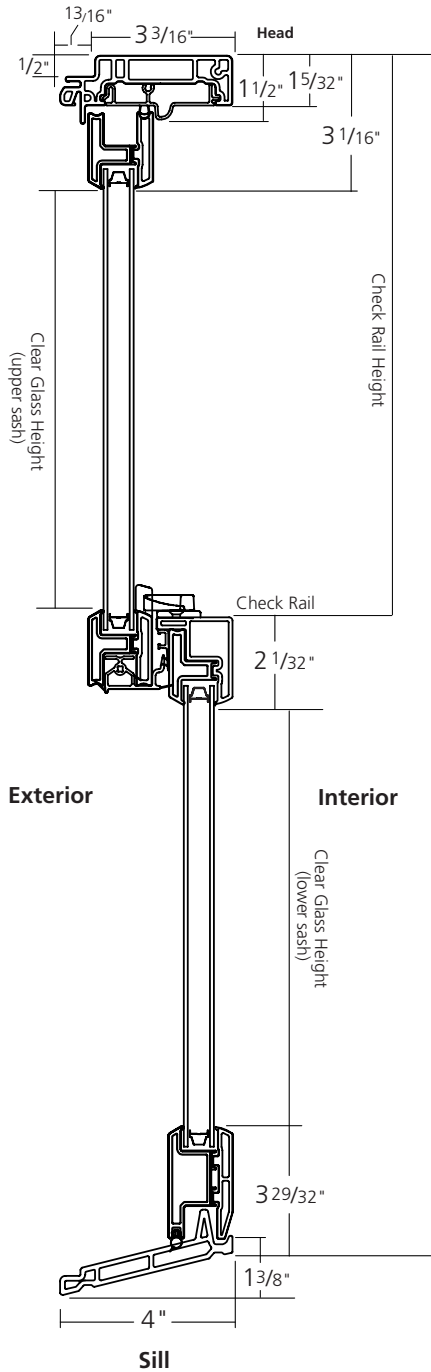
For detailed information on limited sash travel and egress conformity in specific window applications, refer to the charts on the previous page, or call a customer service associate, or see the RbA Extranet.

Determining Clear Glass Dimensions	
<b>CLEAR GLASS WIDTH (inches)</b>	= Width - 6.0
<b>CLEAR GLASS HEIGHT (Upper sash, inches)</b>	= Check Rail Height - 3.188
<b>CLEAR GLASS HEIGHT (Lower sash, inches)</b>	= Height - Check Rail Height - 4.938

**CLEAR OPENING AND CLEAR GLASS DIMENSIONS, cont.**

DOUBLE-HUNG WINDOW

SLOPED SILL INSERT



**NOTICE!**  
Window profiles shown for measurement purposes.

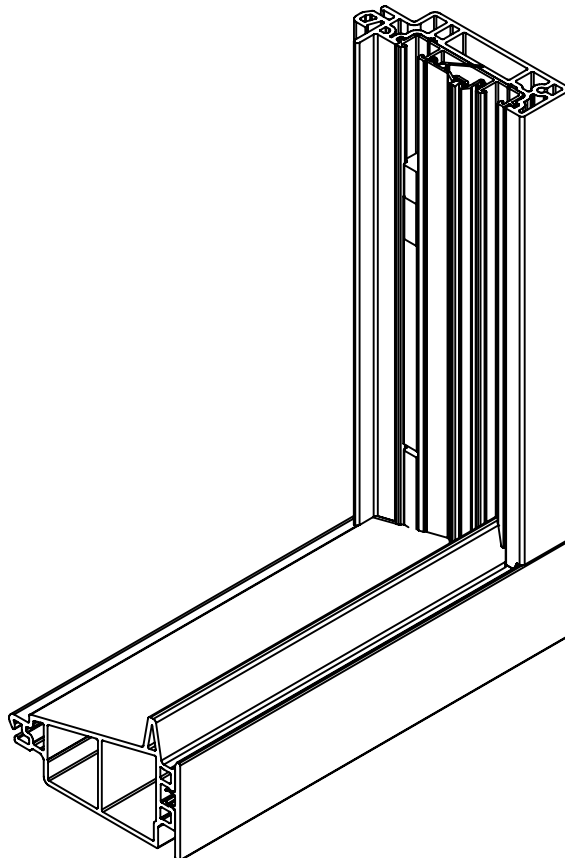
**FLAT SILL INSERT DOUBLE-HUNG WINDOW**

The flat sill insert double-hung window frame option is recommended when replacing existing windows that have a sill angle less than 8 degrees, when specifying an insert window frame that needs to have a flat sill to seat correctly in the opening, or when mulling multiple double-hung insert windows in an opening. It is also the window used in angle bay frames. The 3-3/16" frame width is also consistent with other insert windows to fit in a 3-3/4" pocket.

Existing window pockets must be flat. If they are not, materials must be added so that the pocket offers full support of the window frame.

As with other flat sill insert windows, the flat sill design of the insert frame double-hung window features an exterior trim kerf on all four sides of the frame, allowing for exterior Fibrex® material trim or aluminum coil stock to return to the window frame. This also facilitates mulling to other flat sill insert windows.

For measuring information, please see the *Technical Measurement Manual*. For installation methods, please see the *Product Installation Manual*.



**MIN / MAX SIZES**

DOUBLE-HUNG WINDOW

FLAT SILL INSERT



Certain window sizes may have limited sash travel. Refer to the charts on the following page, or call a customer service associate, or see the RbA Extranet for detailed information on limited sash travel and egress conformity in specific window applications.



**Custom check rail heights** can be specified to achieve different visible sash ratios. Contact the factory to confirm availability and ordering procedure.

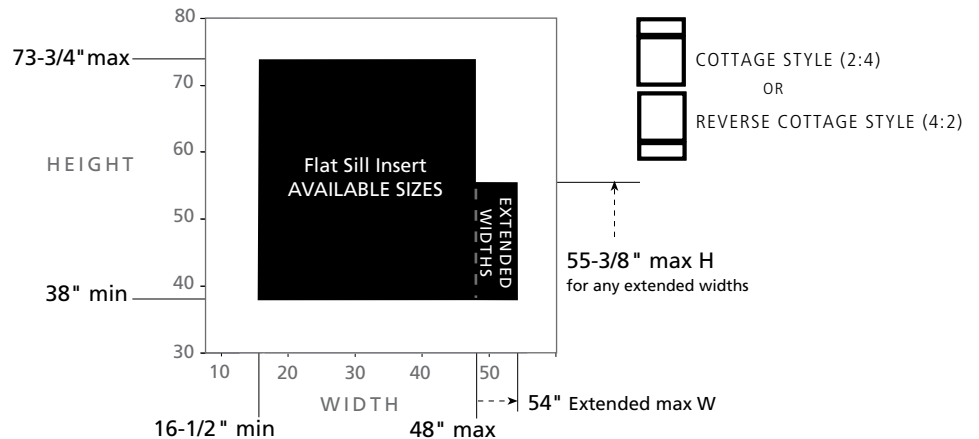
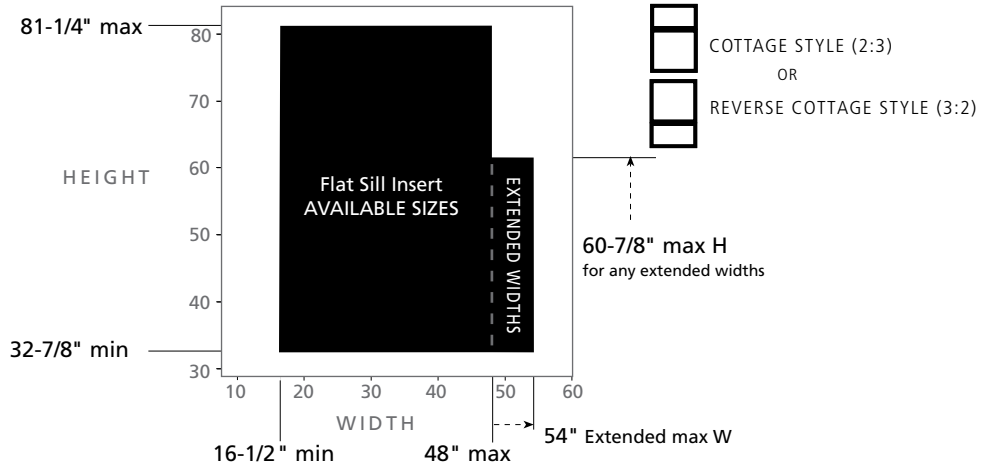
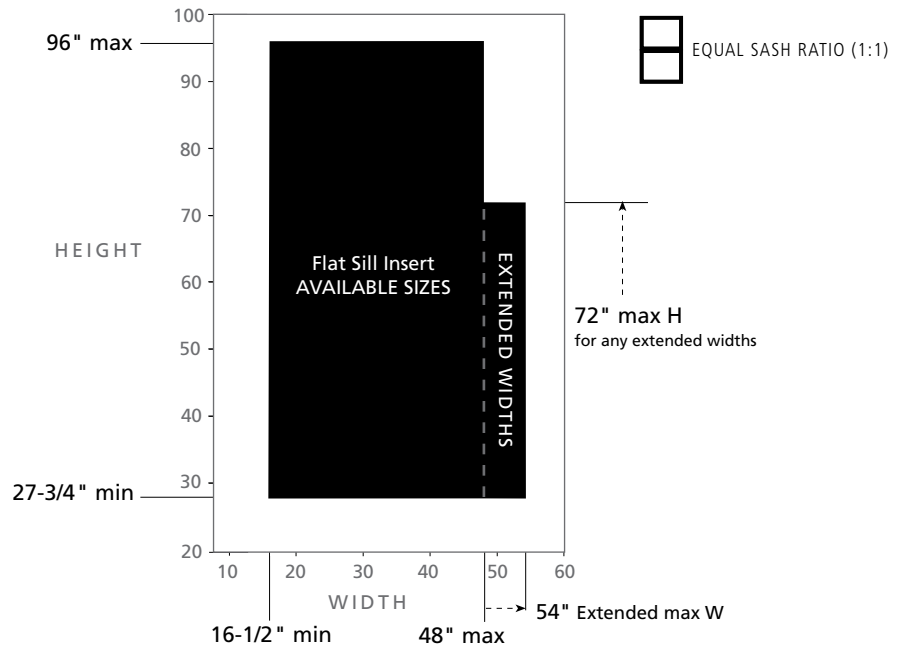
**Do not confuse sash ratio and colonial grille pattern** designations. Sash ratio refers to the size relationship between upper and lower sash. Grille pattern refers to the number of lites in a colonial pattern grille.

\* **Two locks required on units greater than or equal to 45-9/16"**

\*\* **Two locks not available on units narrower than 22-13/16"**

\*\*\* **A second lock is available as an option for units greater than 22-13/16"**

**MIN / MAX SIZES**



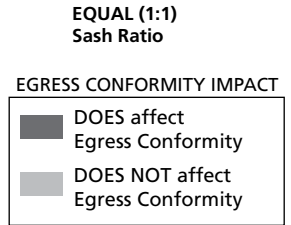
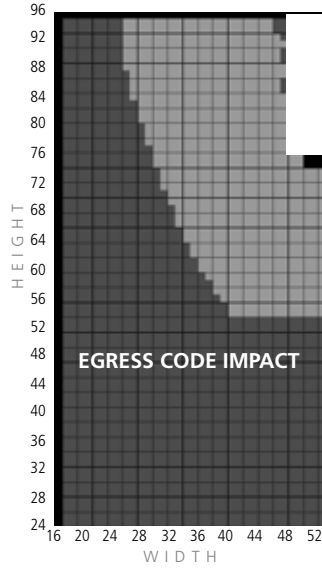
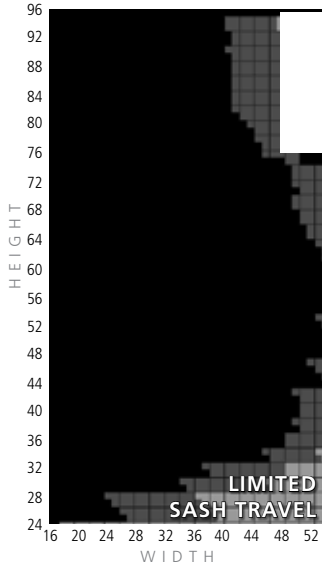
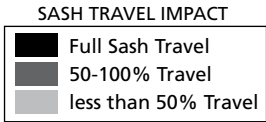
**LIMITED SASH TRAVEL AND EGRESS CONFORMITY**

DOUBLE-HUNG WINDOW

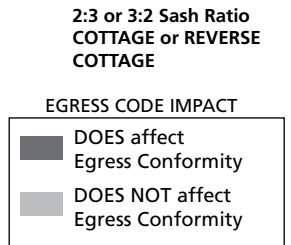
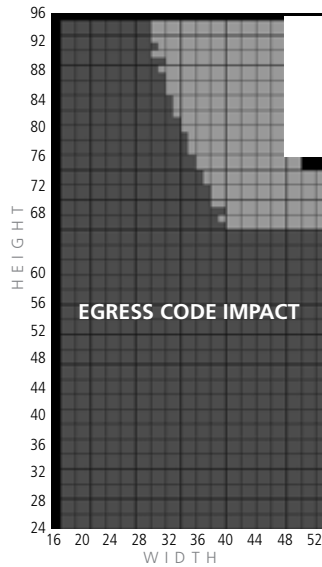
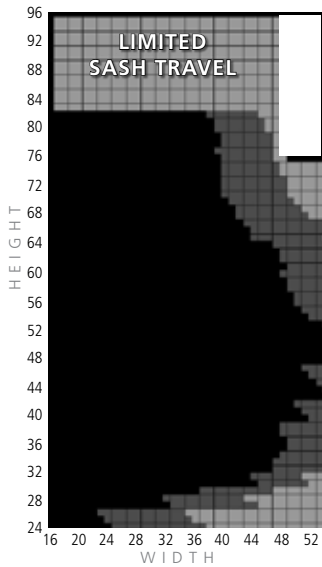
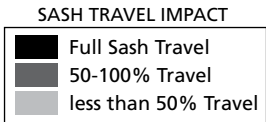
FLAT SILL INSERT

Use the charts in the left column to determine if unit will have limited sash travel (lower sash only).

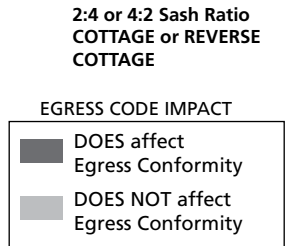
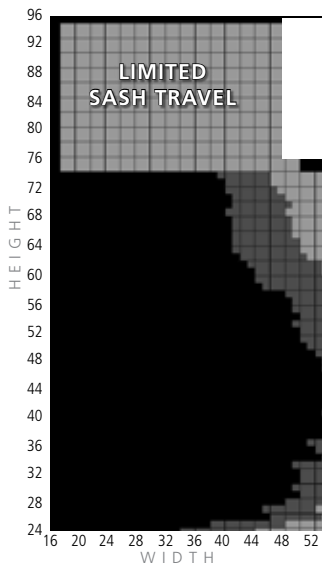
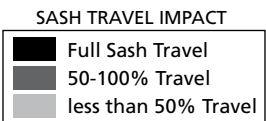
**EQUAL (1:1) Sash Ratio**



**2:3 or 3:2 Sash Ratio COTTAGE or REVERSE COTTAGE**



**2:4 or 4:2 Sash Ratio COTTAGE or REVERSE COTTAGE**



**CLEAR OPENING AND CLEAR GLASS DIMENSIONS**

DOUBLE-HUNG WINDOW

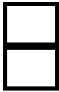


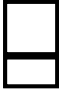

FLAT SILL INSERT

To determine the clear opening dimensions or clear glass size of either sash, follow the steps below.

**1.** Determine **Unit Width (W)** and **Unit Height (H)**.



**2.** Determine the appropriate **Check Rail Height (CRH)**:

Flat Sill Insert Double-Hung Check Rail Height (CRH)	
 <b>EQUAL (1:1) Sash Ratio</b>	Check Rail Height = $\left(\frac{\text{Height}}{2}\right) - 1.663$
 <b>COTTAGE (2:3) Sash Ratio</b>	Check Rail Height = $\left(\frac{\text{Height} \times 2}{5}\right) - 0.878$
 <b>COTTAGE (2:4) Sash Ratio</b>	Check Rail Height = $\left(\frac{\text{Height}}{3}\right) - .365$
 <b>REVERSE COTTAGE (3:2) Sash Ratio</b>	Check Rail Height = $\left(\frac{\text{Height} \times 3}{5}\right) - 2.449$
 <b>REVERSE COTTAGE (4:2) Sash Ratio</b>	Check Rail Height = $\left(\frac{\text{Height} \times 2}{3}\right) - 2.992$



**Custom check rail heights** are available upon request.

For most areas, **egress opening codes** dictate minimum clear opening width, height, and square feet. Check with your local code officials to determine the precise egress codes for each home.

**3.** Using the Check Rail Height (CRH) found in Step 2, calculate **Clear Opening** and/or **Clear Glass** dimensions:

Determining Clear Opening Dimensions (to assess egress code compliance)										
<b>CLEAR OPENING WIDTH (inches)</b>	= Width - 3.188									
<b>CLEAR OPENING HEIGHT (inches)</b>	<table border="0"> <tr> <td> <table border="0"> <tr> <td>EQUAL (1:1) Sash Ratio</td> <td rowspan="2">}</td> <td rowspan="2">Check Rail Height - 2.875</td> </tr> <tr> <td>COTTAGE (2:3 or 2:4) Sash Ratio</td> </tr> </table> </td> <td></td> </tr> <tr> <td></td> <td>REVERSE COTTAGE (3:2 or 4:2) Sash Ratio</td> <td>= Height - Check Rail Height - 4.375</td> </tr> </table>	<table border="0"> <tr> <td>EQUAL (1:1) Sash Ratio</td> <td rowspan="2">}</td> <td rowspan="2">Check Rail Height - 2.875</td> </tr> <tr> <td>COTTAGE (2:3 or 2:4) Sash Ratio</td> </tr> </table>	EQUAL (1:1) Sash Ratio	}	Check Rail Height - 2.875	COTTAGE (2:3 or 2:4) Sash Ratio			REVERSE COTTAGE (3:2 or 4:2) Sash Ratio	= Height - Check Rail Height - 4.375
<table border="0"> <tr> <td>EQUAL (1:1) Sash Ratio</td> <td rowspan="2">}</td> <td rowspan="2">Check Rail Height - 2.875</td> </tr> <tr> <td>COTTAGE (2:3 or 2:4) Sash Ratio</td> </tr> </table>	EQUAL (1:1) Sash Ratio	}	Check Rail Height - 2.875			COTTAGE (2:3 or 2:4) Sash Ratio				
EQUAL (1:1) Sash Ratio	}			Check Rail Height - 2.875						
COTTAGE (2:3 or 2:4) Sash Ratio										
	REVERSE COTTAGE (3:2 or 4:2) Sash Ratio	= Height - Check Rail Height - 4.375								
<b>CLEAR OPENING AREA (ft²)</b>	= $\frac{\text{Clear Opening Width} \times \text{Clear Opening Height}}{144}$									

Clear Opening Widths are often called **"Egress Opening"** Dimensions.

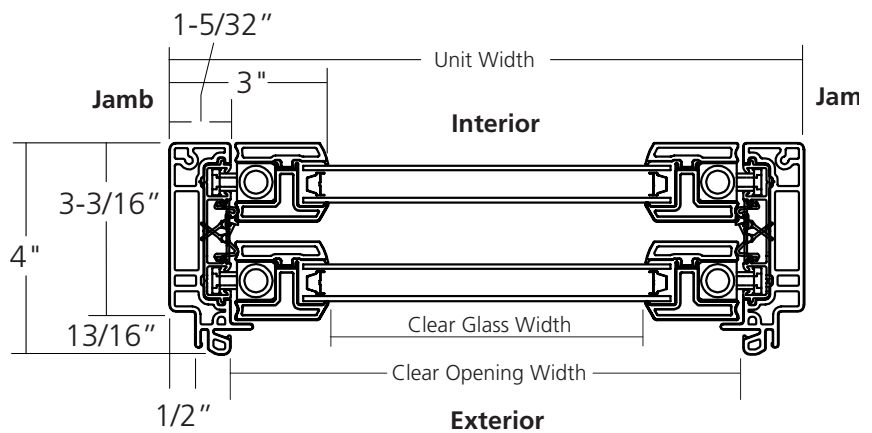
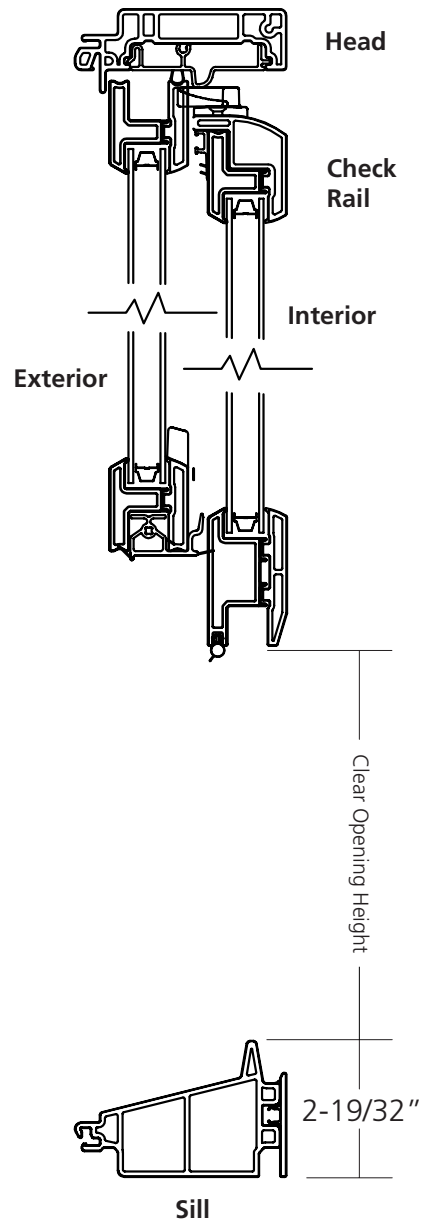
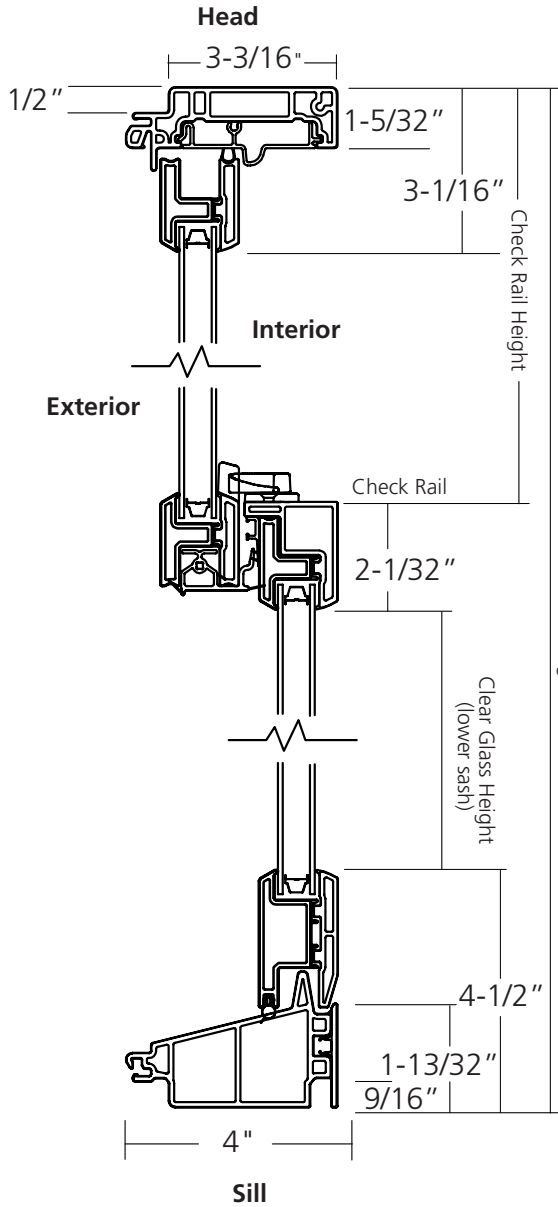
For detailed information on limited sash travel and egress conformity in specific window applications, refer to the charts on the previous page, or call a customer service associate, or see the RbA Extranet.

Determining Clear Glass Dimensions	
<b>CLEAR GLASS WIDTH (inches)</b>	= Width - 6.0
<b>CLEAR GLASS HEIGHT (Upper sash, inches)</b>	= Check Rail Height - 3.188
<b>CLEAR GLASS HEIGHT (Lower sash, inches)</b>	= Height - Check Rail Height - 6.521

**CLEAR OPENING AND CLEAR GLASS DIMENSIONS, cont.**

DOUBLE-HUNG WINDOW

FLAT SILL INSERT

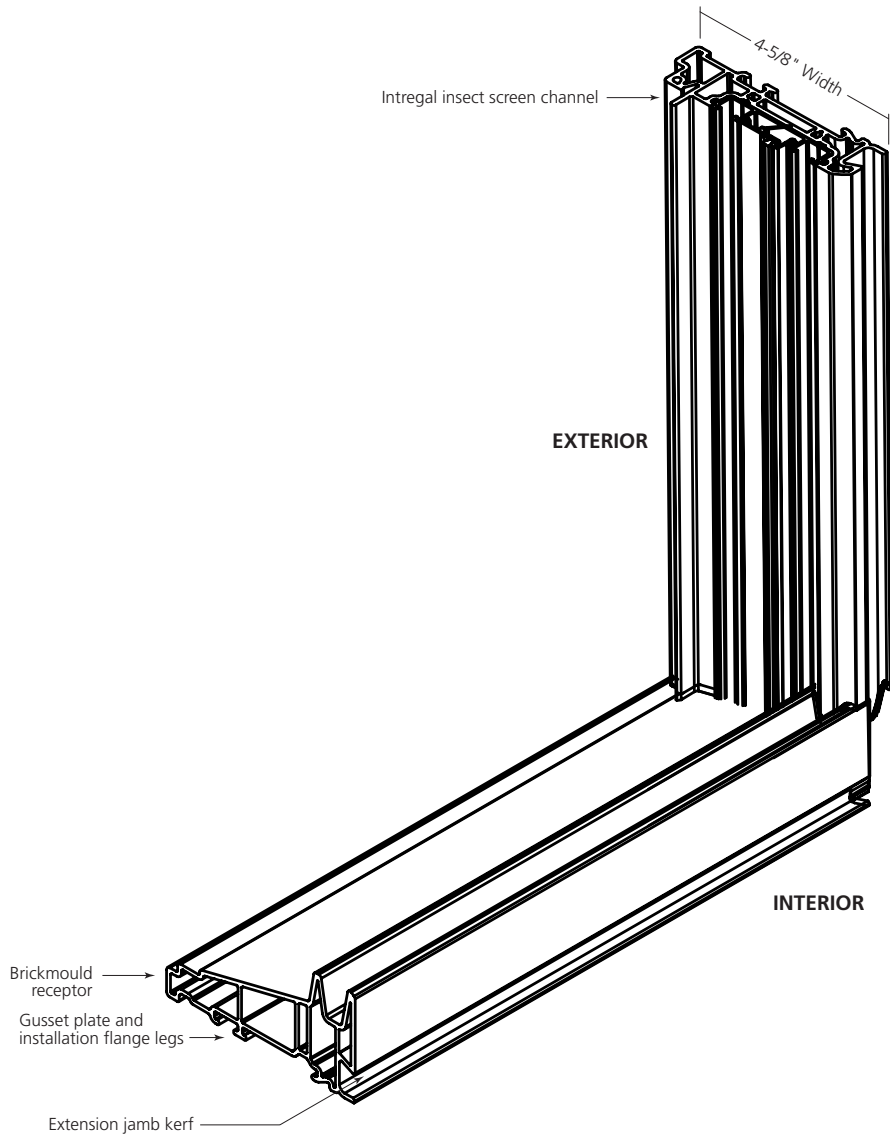


Window profiles shown for measurement purposes.



**FULL-FRAME DOUBLE-HUNG WINDOW**

The full-frame double-hung window is a complete window that includes a full frame and sash. It works well in replacement situations where the old window frame is deteriorated beyond repair or when the existing window frame doesn't allow for a double-hung insert window to be installed, such as old wood casement or metal frames. Frame will also accommodate exterior and interior trim options. See page 3-10.



**MIN / MAX SIZES**

DOUBLE-HUNG WINDOW | FULL FRAME



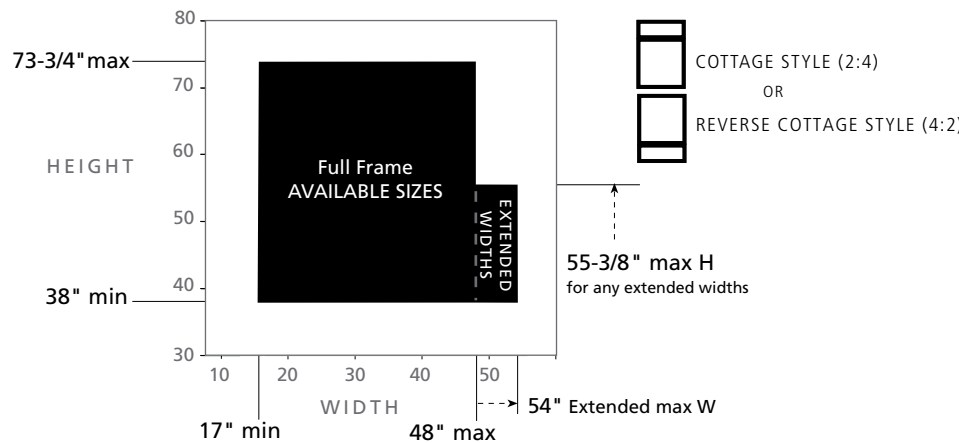
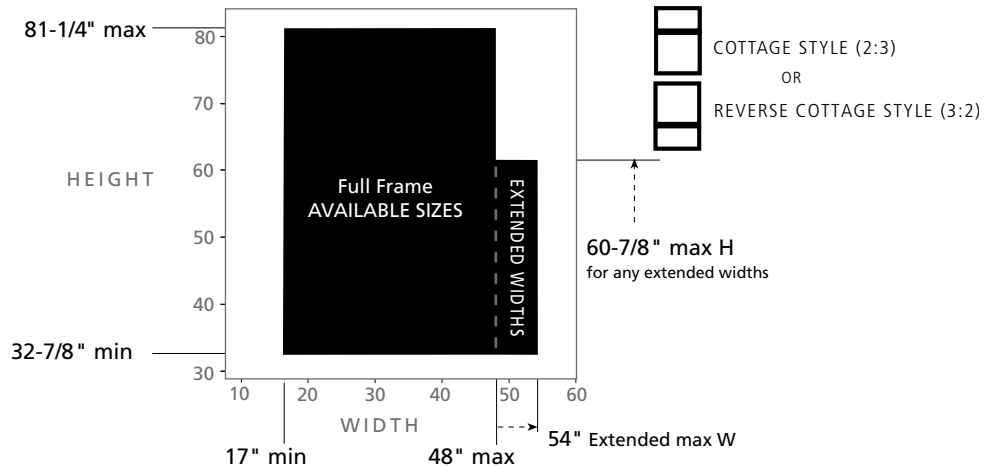
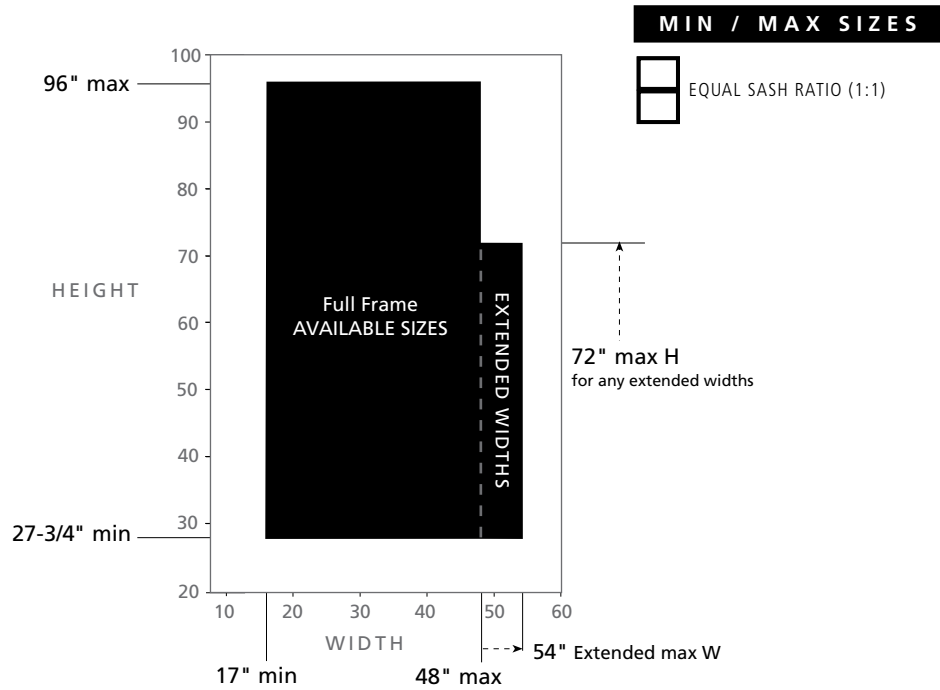
Certain window sizes may have limited sash travel. Refer to the charts on the following page, or call a customer service associate, or see the RbA Extranet for detailed information on limited sash travel and egress conformity in specific window applications.



**Custom check rail heights** can be specified to achieve different visible sash ratios. Contact the factory to confirm availability and ordering procedure.

**Do not confuse sash ratio and colonial grille pattern** designations. Sash ratio refers to the size relationship between upper and lower sash. Grille pattern refers to the number of lites in a colonial pattern grille.

- \* **Two locks required on units greater than or equal to 45-9/16"**
- \*\* **Two locks not available on units narrower than 22-13/16"**
- \*\*\* **A second lock is available as an option for units greater than 22-13/16"**



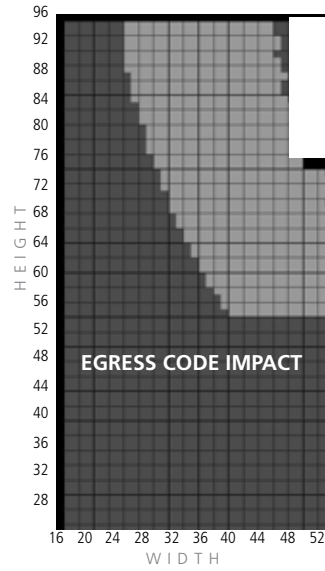
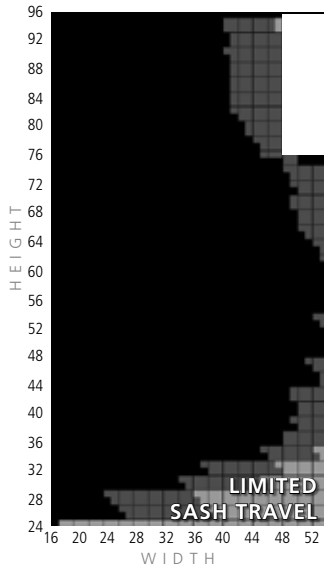
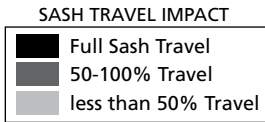
**LIMITED SASH TRAVEL AND EGRESS CONFORMITY**

DOUBLE-HUNG WINDOW

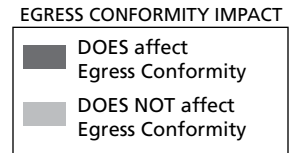
FULL FRAME

Use the charts in the left column to determine if unit will have limited sash travel (lower sash only).

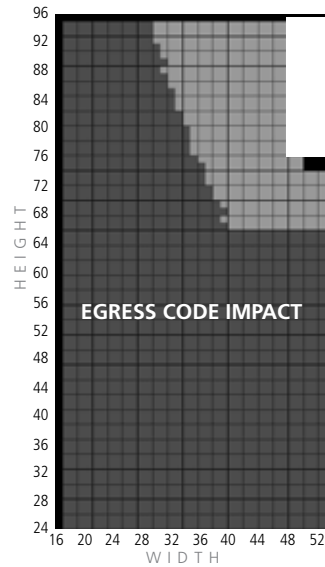
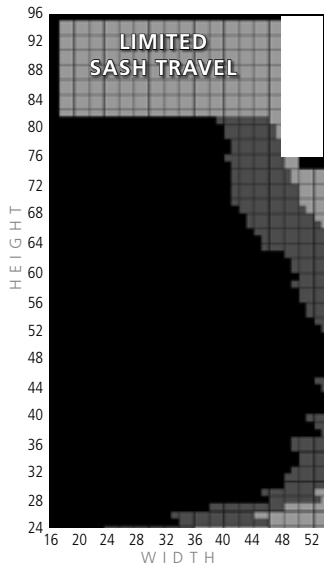
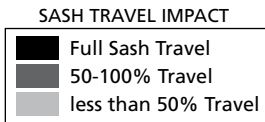
**EQUAL (1:1) Sash Ratio**



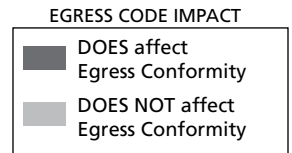
**EQUAL (1:1) Sash Ratio**



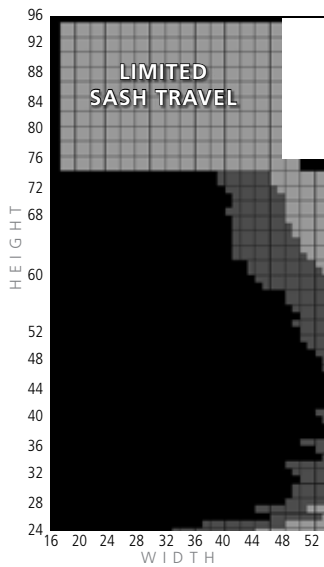
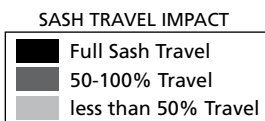
**2:3 or 3:2 Sash Ratio COTTAGE or REVERSE COTTAGE**



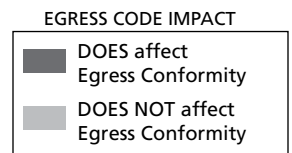
**2:3 or 3:2 Sash Ratio COTTAGE or REVERSE COTTAGE**



**2:4 or 4:2 Sash Ratio COTTAGE or REVERSE COTTAGE**



**2:4 or 4:2 Sash Ratio COTTAGE or REVERSE COTTAGE**



**CLEAR OPENING AND CLEAR GLASS DIMENSIONS**

DOUBLE-HUNG WINDOW


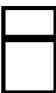

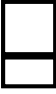

FULL FRAME

To determine the clear opening dimensions or clear glass size of either sash, follow the steps below.

**1.** Determine **Unit Width (W)** and **Unit Height (H)**.



**2.** Determine the appropriate **Check Rail Height (CRH)**:

Full Frame Double-Hung Check Rail Height (CRH)	
 <b>EQUAL (1:1) Sash Ratio</b>	Check Rail Height = $\left(\frac{\text{Height}}{2}\right) - 1.536$
 <b>COTTAGE (2:3) Sash Ratio</b>	Check Rail Height = $\left(\frac{\text{Height} \times 2}{5}\right) - 0.776$
 <b>COTTAGE (2:4) Sash Ratio</b>	Check Rail Height = $\left(\frac{\text{Height}}{3}\right) - .276$
 <b>REVERSE COTTAGE (3:2) Sash Ratio</b>	Check Rail Height = $\left(\frac{\text{Height} \times 3}{5}\right) - 2.295$
 <b>REVERSE COTTAGE (4:2) Sash Ratio</b>	Check Rail Height = $\left(\frac{\text{Height} \times 2}{3}\right) - 2.815$



**Custom check rail heights** are available upon request.

For most areas, **egress opening codes** dictate minimum clear opening width, height, and square feet. Check with your local code officials to determine the precise egress codes for each home.

**3.** Using the Check Rail Height (CRH) found in Step 2, calculate **Clear Opening** and/or **Clear Glass** dimensions:

Determining Clear Opening Dimensions (to assess egress code compliance)						
<b>CLEAR OPENING WIDTH (inches)</b>	= Width - 3.188					
<b>CLEAR OPENING HEIGHT (inches)</b>	<table border="0"> <tr> <td>EQUAL (1:1) Sash Ratio</td> <td rowspan="2">} = Check Rail Height - 2.875</td> </tr> <tr> <td>COTTAGE (2:3 or 2:4) Sash Ratio</td> </tr> <tr> <td>REVERSE COTTAGE (3:2 or 4:2) Sash Ratio</td> <td>= Height - Check Rail Height - 4.125</td> </tr> </table>	EQUAL (1:1) Sash Ratio	} = Check Rail Height - 2.875	COTTAGE (2:3 or 2:4) Sash Ratio	REVERSE COTTAGE (3:2 or 4:2) Sash Ratio	= Height - Check Rail Height - 4.125
EQUAL (1:1) Sash Ratio	} = Check Rail Height - 2.875					
COTTAGE (2:3 or 2:4) Sash Ratio						
REVERSE COTTAGE (3:2 or 4:2) Sash Ratio	= Height - Check Rail Height - 4.125					
<b>CLEAR OPENING AREA (ft²)</b>	= $\frac{\text{Clear Opening Width} \times \text{Clear Opening Height}}{144}$					

Clear Opening Widths are often called **"Egress Opening"** Dimensions.

For detailed information on limited sash travel and egress conformity in specific window applications, refer to the charts on the previous page, or call a customer service associate, or see the RbA Extranet.

Determining Clear Glass Dimensions	
<b>CLEAR GLASS WIDTH (inches)</b>	= Width - 6.0
<b>CLEAR GLASS HEIGHT (Upper sash, inches)</b>	= Check Rail Height - 3.188
<b>CLEAR GLASS HEIGHT (Lower sash, inches)</b>	= Height - Check Rail Height - 6.266

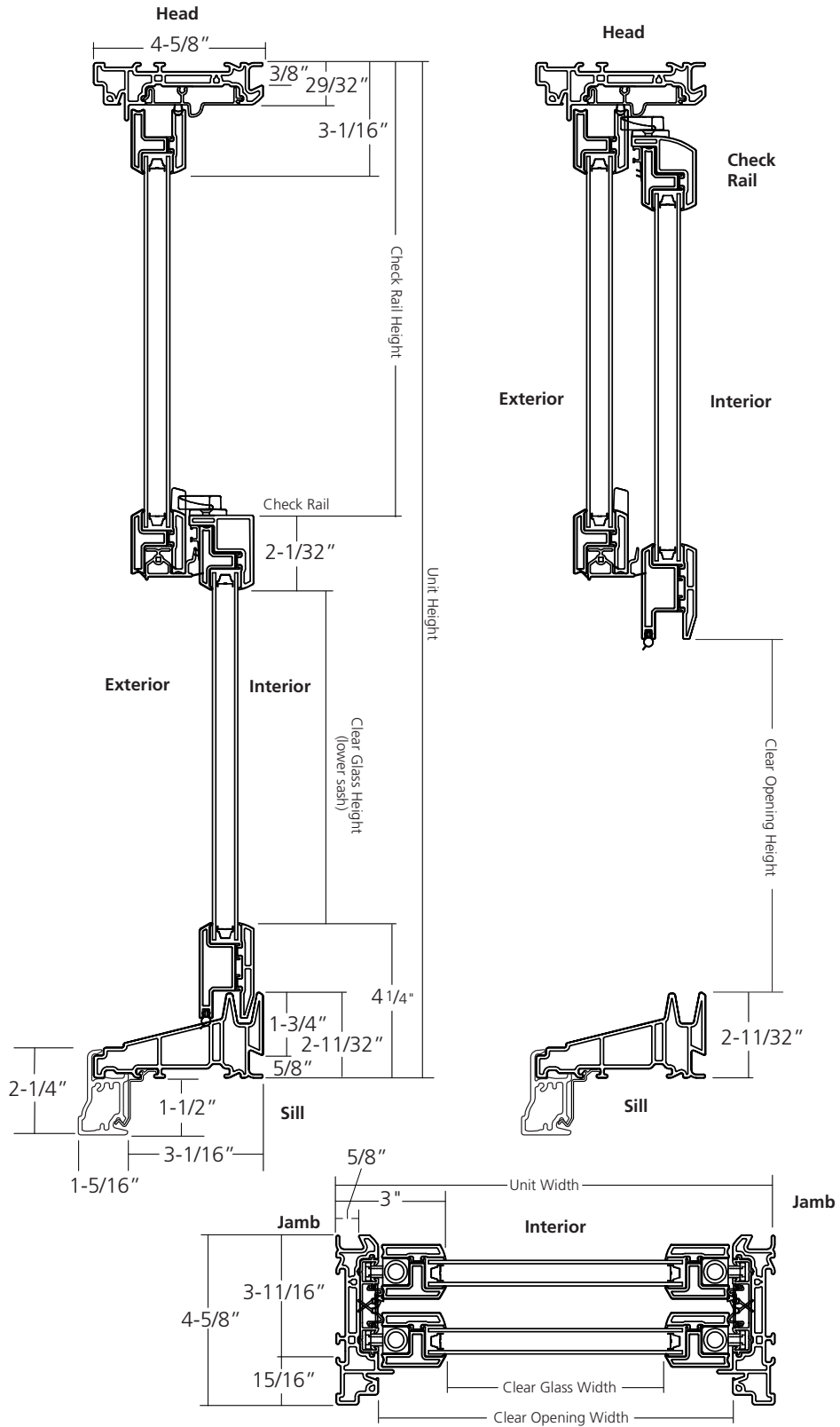
**CLEAR OPENING AND CLEAR GLASS DIMENSIONS, cont.**

DOUBLE-HUNG WINDOW

FULL FRAME



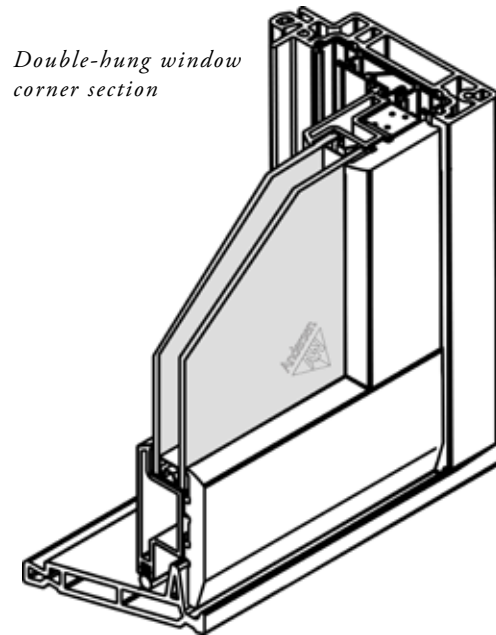
Brickmould and window profiles shown for measurement purposes.



**DOUBLE-HUNG WINDOW AND RELATED PATENTS**

DOUBLE-HUNG WINDOW

- Double-Hung Window - U.S. Patent Number: Des. 394,115  
The ornamental design for a double-hung window.



**DOUBLE-HUNG WINDOW AND RELATED PATENTS, cont.**

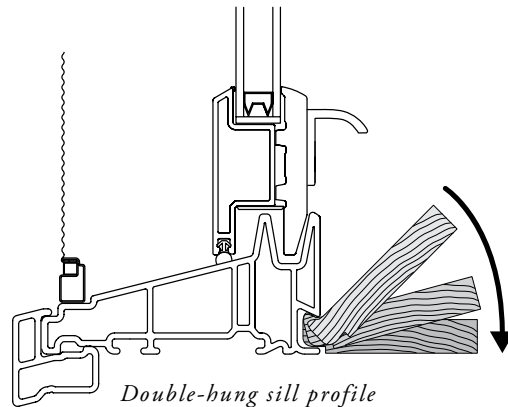
DOUBLE-HUNG WINDOW

- Extension Jamb – U.S. Patent Number: Des. 5,555,684

An extension jamb extends the depth of a frame to accept a replacement window. Our patented design improves the standard method of securing the jambs to the window frame with glue or nails, which is the method used by many manufacturers.

The design creates a snap-in fit of the extension jamb into the window frame. This is aesthetically more pleasing and eliminates problems with staining and finishing that may occur with glue or nail holes.

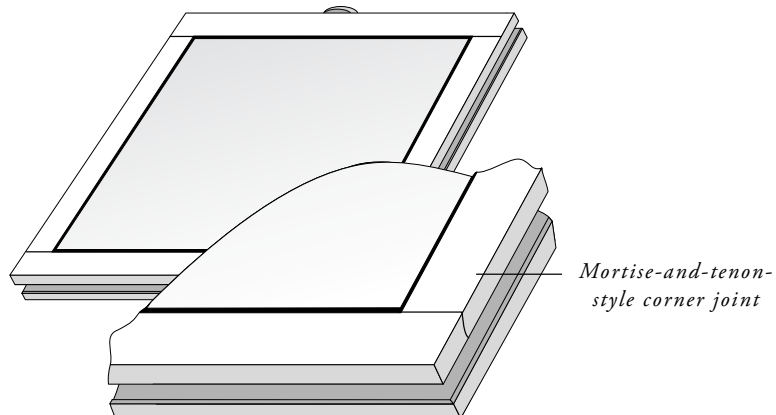
*Installing an extension jamb*



*Double-hung sill profile*

- Joint Structure (Mortise/Tenon) – U.S. Patent Number: Des. 5,603,585

Renewal by Andersen® has a patented design and manufacturing method to make a welded corner with the appearance of a traditional, hand-crafted mortise-and-tenon joint. By end-cutting the sash members in a unique way, we provide a welded corner on the exterior surface of the sash that provides strength and excellent weathertight construction, while the interior portion of the sash parts are joined to create a mortise-and-tenon-style corner joint. This marriage of function and traditional window style is unique in the window replacement industry.



*Mortise-and-tenon-style corner joint*



**dba: RENEWAL BY ANDERSEN**

Legal Name: Windows, LLC | License # PA003807  
801 Congressional Blvd. Suite 500 | Carmel, IN 46032  
Phone: 317-708-7608 | Fax: 808-555-5556 |  
Measure Tech: Mike Abarca,

**JOHN SHERRY & VALERIE SCHEY**

1314 E Wayne St North  
South Bend, IN 46615  
H: (574)210-9623 | C:

# Installation Package

---

1314 E Wayne St North  
South Bend, IN 46615

---

PRODUCTS: 18    WINDOWS: 17    PATIO DOORS: 0    SPECIALTY: 0    MISC: 1

*Updated 3/25/19*

---

**BUYER**

**John Sherry & Valerie Schey**

H: (574)210-9623

C:

Year Built: 1926

caresouthbend@gmail.com

Est. Duration: 2 days

**REPRESENTATIVE**

**Ryan Brown**

(317)657-6111

rbrown@windowsbyrba.com

**TECH MEASURE**

**Mike Abarca**

mabarca@windowsbyrba.com

**dba: RENEWAL BY ANDERSEN**

Legal Name: Windows, LLC | License # PA003807  
801 Congressional Blvd. Suite 500 | Carmel, IN 46032  
Phone: 317-708-7608 | Fax: 808-555-5556 |  
Measure Tech: Mike Abarca,





# Order Summary

dba: RENEWAL BY ANDERSEN

Legal Name: Windows, LLC | License # PA003807  
 801 Congressional Blvd. Suite 500 | Carmel, IN 46032  
 Phone: 317-708-7608 | Fax: 808-555-5556 |  
 Measure Tech: Mike Abarca,

**JOHN SHERRY & VALERIE SCHEY**

1314 E Wayne St North  
 South Bend, IN 46615  
 H: (574)210-9623 | C:

ID#	ROOM	SIZE		DETAILS
<b>JOB</b>				
101	Dining	37" 35-1/2"	58" 57-3/8"	<b>Window:</b> Double-Hung, Equal, Flat Sill Insert, Traditional Checkrail, Exterior White, Interior White <b>Glass:</b> All Sash: High Performance SmartSun Glass, No Pattern <b>Hardware:</b> White <b>Screen:</b> TruScene with Exterior Color Match, Full Screen <b>Grille Style:</b> Interior Wood Only (INTW) <b>Grille Pattern:</b> Sash 1: Colonial 4w x 2h, Sash 2: No Grilles <b>Misc:</b> None <b>Construction:</b> None <b>Material:</b> None
102	Dining	37" 35-1/2"	58" 57-3/8"	<b>Window:</b> Double-Hung, Equal, Flat Sill Insert, Traditional Checkrail, Exterior White, Interior White <b>Glass:</b> All Sash: High Performance SmartSun Glass, No Pattern <b>Hardware:</b> White <b>Screen:</b> TruScene with Exterior Color Match, Full Screen <b>Grille Style:</b> Interior Wood Only (INTW) <b>Grille Pattern:</b> Sash 1: Colonial 4w x 2h, Sash 2: No Grilles <b>Misc:</b> None <b>Construction:</b> None <b>Material:</b> None
103	Dining	29" 27-1/2"	58" 57-3/8"	<b>Window:</b> Double-Hung, Equal, Flat Sill Insert, Traditional Checkrail, Exterior White, Interior White <b>Glass:</b> All Sash: High Performance SmartSun Glass, No Pattern <b>Hardware:</b> White <b>Screen:</b> TruScene with Exterior Color Match, Full Screen <b>Grille Style:</b> Interior Wood Only (INTW) <b>Grille Pattern:</b> Sash 1: Colonial 3w x 2h, Sash 2: No Grilles <b>Misc:</b> None <b>Construction:</b> None <b>Material:</b> None
104	Dining	29" 27-1/2"	58" 57-3/8"	<b>Window:</b> Double-Hung, Equal, Flat Sill Insert, Traditional Checkrail, Exterior White, Interior White <b>Glass:</b> All Sash: High Performance SmartSun Glass, No Pattern <b>Hardware:</b> White <b>Screen:</b> TruScene with Exterior Color Match, Full Screen <b>Grille Style:</b> Interior Wood Only (INTW) <b>Grille Pattern:</b> Sash 1: Colonial 3w x 2h, Sash 2: No Grilles <b>Misc:</b> None <b>Construction:</b> None <b>Material:</b> None



# Order Summary

dba: RENEWAL BY ANDERSEN

Legal Name: Windows, LLC | License # PA003807  
 801 Congressional Blvd. Suite 500 | Carmel, IN 46032  
 Phone: 317-708-7608 | Fax: 808-555-5556 |  
 Measure Tech: Mike Abarca,

**JOHN SHERRY & VALERIE SCHEY**

1314 E Wayne St North  
 South Bend, IN 46615  
 H: (574)210-9623 | C:

ID#	ROOM	SIZE	DETAILS
105	Living	37" 58" 35-1/2" 57-3/8"	<b>Window:</b> Double-Hung, Equal, Flat Sill Insert, Traditional Checkrail, Exterior White, Interior White <b>Glass:</b> All Sash: High Performance SmartSun Glass, No Pattern <b>Hardware:</b> White <b>Screen:</b> TruScene with Exterior Color Match, Full Screen <b>Grille Style:</b> Interior Wood Only (INTW) <b>Grille Pattern:</b> Sash 1: Colonial 4w x 2h, Sash 2: No Grilles <b>Misc:</b> None <b>Construction:</b> None <b>Material:</b> None
106	Living	37" 58" 35-1/2" 57-3/8"	<b>Window:</b> Double-Hung, Equal, Flat Sill Insert, Traditional Checkrail, Exterior White, Interior White <b>Glass:</b> All Sash: High Performance SmartSun Glass, No Pattern <b>Hardware:</b> White <b>Screen:</b> TruScene with Exterior Color Match, Full Screen <b>Grille Style:</b> Interior Wood Only (INTW) <b>Grille Pattern:</b> Sash 1: Colonial 4w x 2h, Sash 2: No Grilles <b>Misc:</b> None <b>Construction:</b> None <b>Material:</b> None
107	Living	40" 58" 39-1/2" 57-3/8"	<b>Window:</b> Double-Hung, Equal, Flat Sill Insert, Traditional Checkrail, Exterior White, Interior White <b>Glass:</b> All Sash: High Performance SmartSun Glass, No Pattern <b>Hardware:</b> White <b>Screen:</b> TruScene with Exterior Color Match, Full Screen <b>Grille Style:</b> Interior Wood Only (INTW) <b>Grille Pattern:</b> Sash 1: Colonial 4w x 2h, Sash 2: No Grilles <b>Misc:</b> None <b>Construction:</b> None <b>Material:</b> None
108	master	34" 54" 33-1/2" 53-3/8"	<b>Window:</b> Double-Hung, Equal, Flat Sill Insert, Traditional Checkrail, Exterior White, Interior White <b>Glass:</b> All Sash: High Performance SmartSun Glass, No Pattern <b>Hardware:</b> White <b>Screen:</b> TruScene with Exterior Color Match, Full Screen <b>Grille Style:</b> Interior Wood Only (INTW) <b>Grille Pattern:</b> Sash 1: Colonial 4w x 2h, Sash 2: No Grilles <b>Misc:</b> None <b>Construction:</b> None <b>Material:</b> None
109	master	40" 54" 39-1/2" 53-3/8"	<b>Window:</b> Double-Hung, Equal, Flat Sill Insert, Traditional Checkrail, Exterior White, Interior White <b>Glass:</b> All Sash: High Performance SmartSun Glass, No Pattern <b>Hardware:</b> White <b>Screen:</b> TruScene with Exterior Color Match, Full Screen <b>Grille Style:</b> Interior Wood Only (INTW) <b>Grille Pattern:</b> Sash 1: Colonial 4w x 2h, Sash 2: No Grilles <b>Misc:</b> None <b>Construction:</b> None <b>Material:</b> None



# Order Summary

dba: RENEWAL BY ANDERSEN

Legal Name: Windows, LLC | License # PA003807  
 801 Congressional Blvd. Suite 500 | Carmel, IN 46032  
 Phone: 317-708-7608 | Fax: 808-555-5556 |  
 Measure Tech: Mike Abarca,

JOHN SHERRY & VALERIE SCHEY

1314 E Wayne St North  
 South Bend, IN 46615  
 H: (574)210-9623 | C:

ID#	ROOM	SIZE	DETAILS
110	mastercloset	24" 45" 23-1/2" 45-3/8"	<b>Window:</b> Double-Hung, Equal, Flat Sill Insert, Traditional Checkrail, Exterior White, Interior White <b>Glass:</b> All Sash: High Performance SmartSun Glass, No Pattern <b>Hardware:</b> White <b>Screen:</b> TruScene with Exterior Color Match, Full Screen <b>Grille Style:</b> Interior Wood Only (INTW) <b>Grille Pattern:</b> Sash 1: Colonial 3w x 2h, Sash 2: No Grilles <b>Misc:</b> None <b>Construction:</b> None <b>Material:</b> None
111	mastercloset	24" 45" 23-1/2" 45-3/8"	<b>Window:</b> Double-Hung, Equal, Flat Sill Insert, Traditional Checkrail, Exterior White, Interior White <b>Glass:</b> All Sash: High Performance SmartSun Glass, No Pattern <b>Hardware:</b> White <b>Screen:</b> TruScene with Exterior Color Match, Full Screen <b>Grille Style:</b> Interior Wood Only (INTW) <b>Grille Pattern:</b> Sash 1: Colonial 3w x 2h, Sash 2: No Grilles <b>Misc:</b> None <b>Construction:</b> None <b>Material:</b> None
112	bath	28" 45" 27-1/2" 45-3/8"	<b>Window:</b> Double-Hung, Equal, Flat Sill Insert, Traditional Checkrail, Exterior White, Interior White <b>Glass:</b> Sash 1: High Performance SmartSun Glass, No Pattern, Sash 2: High Performance SmartSun Glass, No Pattern, Tempered Glass <b>Hardware:</b> White <b>Screen:</b> TruScene with Exterior Color Match, Full Screen <b>Grille Style:</b> Interior Wood Only (INTW) <b>Grille Pattern:</b> Sash 1: Colonial 3w x 2h, Sash 2: No Grilles <b>Misc:</b> None <b>Construction:</b> None <b>Material:</b> None
113	bath	28" 45" 27-1/2" 45-3/8"	<b>Window:</b> Double-Hung, Equal, Flat Sill Insert, Traditional Checkrail, Exterior White, Interior White <b>Glass:</b> All Sash: High Performance SmartSun Glass, No Pattern, Tempered Glass <b>Hardware:</b> White <b>Screen:</b> TruScene with Exterior Color Match, Full Screen <b>Grille Style:</b> Interior Wood Only (INTW) <b>Grille Pattern:</b> Sash 1: Colonial 3w x 2h, Sash 2: No Grilles <b>Misc:</b> None <b>Construction:</b> None <b>Material:</b> None
114	office	40" 54" 39-1/2" 53-3/8"	<b>Window:</b> Double-Hung, Equal, Flat Sill Insert, Traditional Checkrail, Exterior White, Interior White <b>Glass:</b> All Sash: High Performance SmartSun Glass, No Pattern <b>Hardware:</b> White <b>Screen:</b> TruScene with Exterior Color Match, Full Screen <b>Grille Style:</b> Interior Wood Only (INTW) <b>Grille Pattern:</b> Sash 1: Colonial 4w x 2h, Sash 2: No Grilles <b>Misc:</b> None <b>Construction:</b> None <b>Material:</b> None



# Order Summary

dba: RENEWAL BY ANDERSEN

Legal Name: Windows, LLC | License # PA003807  
 801 Congressional Blvd. Suite 500 | Carmel, IN 46032  
 Phone: 317-708-7608 | Fax: 808-555-5556 |  
 Measure Tech: Mike Abarca,

JOHN SHERRY & VALERIE SCHEY

1314 E Wayne St North  
 South Bend, IN 46615  
 H: (574)210-9623 | C:

ID#	ROOM	SIZE		DETAILS
115	office	35" 33-1/2"	54" 53-3/8"	<b>Window:</b> Double-Hung, Equal, Flat Sill Insert, Traditional Checkrail, Exterior White, Interior White <b>Glass:</b> All Sash: High Performance SmartSun Glass, No Pattern <b>Hardware:</b> White <b>Screen:</b> TruScene with Exterior Color Match, Full Screen <b>Grille Style:</b> Interior Wood Only (INTW) <b>Grille Pattern:</b> Sash 1: Colonial 4w x 2h, Sash 2: No Grilles <b>Misc:</b> None <b>Construction:</b> None <b>Material:</b> None
116	bed2B	35" 33-1/2"	54" 53-3/8"	<b>Window:</b> Double-Hung, Equal, Flat Sill Insert, Traditional Checkrail, Exterior White, Interior White <b>Glass:</b> All Sash: High Performance SmartSun Glass, No Pattern <b>Hardware:</b> White <b>Screen:</b> TruScene with Exterior Color Match, Full Screen <b>Grille Style:</b> Interior Wood Only (INTW) <b>Grille Pattern:</b> Sash 1: Colonial 4w x 2h, Sash 2: No Grilles <b>Misc:</b> None <b>Construction:</b> None <b>Material:</b> None
117	bed2B	35" 33-1/2"	54" 53-3/8"	<b>Window:</b> Double-Hung, Equal, Flat Sill Insert, Traditional Checkrail, Exterior White, Interior White <b>Glass:</b> All Sash: High Performance SmartSun Glass, No Pattern <b>Hardware:</b> White <b>Screen:</b> TruScene with Exterior Color Match, Full Screen <b>Grille Style:</b> Interior Wood Only (INTW) <b>Grille Pattern:</b> Sash 1: Colonial 4w x 2h, Sash 2: No Grilles <b>Misc:</b> None <b>Construction:</b> None <b>Material:</b> None
#	Room Field	0"	0"	<b>Misc:</b> Misc - *Add New, H/O is responsible for any painting or staining to interior trim or grids needed. <b>Construction:</b> None <b>Material:</b> None

PRODUCTS: 18 WINDOWS: 17 PATIO DOORS: 0 SPECIALTY: 0 MISC: 1

Updated 3/25/19



# Order Summary

dba: RENEWAL BY ANDERSEN

Legal Name: Windows, LLC | License # PA003807  
801 Congressional Blvd. Suite 500 | Carmel, IN 46032  
Phone: 317-708-7608 | Fax: 808-555-5556 |  
Measure Tech: Mike Abarca,

**JOHN SHERRY & VALERIE SCHEY**

1314 E Wayne St North  
South Bend, IN 46615  
H: (574)210-9623 | C:

## JOB NOTES

Two story home extension ladders and step ladder.  
Exterior brick.

Old double hung windows with old wood storm windows, remove exterior wood stops and metal track to stool, is removable Did double check. Bring windows in to the interior stops and stools.

Wrap exterior with aluminum wrap to brick to all windows.

Note: All windows are DH. All windows are to look like old original windows.  
H/O is aware of responsible for painting or staining to the interior wood grids.

**Estimated Duration: 2 days**

## JOB PHOTOS



Image 1



Image 2



Image 3



Image 4



Image 5



Image 6



# 101

dba: RENEWAL BY ANDERSEN

Legal Name: Windows, LLC | License # PA003807  
801 Congressional Blvd. Suite 500 | Carmel, IN 46032  
Phone: 317-708-7608 | Fax: 808-555-5556 |  
Measure Tech: Mike Abarca,

**JOHN SHERRY & VALERIE SCHEY**

1314 E Wayne St North  
South Bend, IN 46615  
H: (574)210-9623 | C:

# 101 Dining

**35-1/2" W 57-3/8" H**  
**Window, Double-Hung**



**Window:** Double-Hung, Equal, Flat Sill Insert, Traditional Checkrail, Exterior White, Interior White **Glass:** All Sash: High Performance SmartSun Glass, No Pattern **Hardware:** White **Screen:** TruScene with Exterior Color Match, Full Screen **Grille Style:** Interior Wood Only (INTW) **Grille Pattern:** Sash 1: Colonial 4w x 2h, Sash 2: No Grilles **Misc:** None **Construction:** None **Material:** None 3/22/19

## UNIT NOTES

## UNIT CONSTRUCTION

## UNIT MATERIALS

## UNIT PHOTOS



Image 1



# 102

dba: RENEWAL BY ANDERSEN

Legal Name: Windows, LLC | License # PA003807  
801 Congressional Blvd. Suite 500 | Carmel, IN 46032  
Phone: 317-708-7608 | Fax: 808-555-5556 |  
Measure Tech: Mike Abarca,

**JOHN SHERRY & VALERIE SCHEY**

1314 E Wayne St North  
South Bend, IN 46615  
H: (574)210-9623 | C:

# 102 Dining

35-1/2" W 57-3/8" H

## Window, Double-Hung



**Window:** Double-Hung, Equal, Flat Sill Insert, Traditional Checkrail, Exterior White, Interior White **Glass:** All Sash: High Performance SmartSun Glass, No Pattern **Hardware:** White **Screen:** TruScene with Exterior Color Match, Full Screen **Grille Style:** Interior Wood Only (INTW) **Grille Pattern:** Sash 1: Colonial 4w x 2h, Sash 2: No Grilles **Misc:** None **Construction:** None **Material:** None 3/22/19

### UNIT NOTES

### UNIT CONSTRUCTION

### UNIT MATERIALS

### UNIT PHOTOS



Image 1



# 103

dba: RENEWAL BY ANDERSEN

Legal Name: Windows, LLC | License # PA003807  
801 Congressional Blvd. Suite 500 | Carmel, IN 46032  
Phone: 317-708-7608 | Fax: 808-555-5556 |  
Measure Tech: Mike Abarca,

JOHN SHERRY & VALERIE SCHEY

1314 E Wayne St North  
South Bend, IN 46615  
H: (574)210-9623 | C:

# 103 Dining 27-1/2" W 57-3/8" H Window, Double-Hung



**Window:** Double-Hung, Equal, Flat Sill Insert, Traditional Checkrail, Exterior White, Interior White **Glass:** All Sash: High Performance SmartSun Glass, No Pattern **Hardware:** White **Screen:** TruScene with Exterior Color Match, Full Screen **Grille Style:** Interior Wood Only (INTW) **Grille Pattern:** Sash 1: Colonial 3w x 2h, Sash 2: No Grilles **Misc:** None **Construction:** None **Material:** None 3/22/19

## UNIT NOTES

## UNIT CONSTRUCTION

## UNIT MATERIALS

## UNIT PHOTOS



Image 1





# 104

dba: RENEWAL BY ANDERSEN

Legal Name: Windows, LLC | License # PA003807  
801 Congressional Blvd. Suite 500 | Carmel, IN 46032  
Phone: 317-708-7608 | Fax: 808-555-5556 |  
Measure Tech: Mike Abarca,

**JOHN SHERRY & VALERIE SCHEY**

1314 E Wayne St North  
South Bend, IN 46615  
H: (574)210-9623 | C:

# 104 Dining 27-1/2" W 57-3/8" H Window, Double-Hung



**Window:** Double-Hung, Equal, Flat Sill Insert, Traditional Checkrail, Exterior White, Interior White **Glass:** All Sash: High Performance SmartSun Glass, No Pattern **Hardware:** White **Screen:** TruScene with Exterior Color Match, Full Screen **Grille Style:** Interior Wood Only (INTW) **Grille Pattern:** Sash 1: Colonial 3w x 2h, Sash 2: No Grilles **Misc:** None **Construction:** None **Material:** None 3/22/19

## UNIT NOTES

## UNIT CONSTRUCTION

## UNIT MATERIALS

## UNIT PHOTOS



# 105

dba: RENEWAL BY ANDERSEN

Legal Name: Windows, LLC | License # PA003807  
801 Congressional Blvd. Suite 500 | Carmel, IN 46032  
Phone: 317-708-7608 | Fax: 808-555-5556 |  
Measure Tech: Mike Abarca,

**JOHN SHERRY & VALERIE SCHEY**

1314 E Wayne St North  
South Bend, IN 46615  
H: (574)210-9623 | C:

# 105 Living 35-1/2" W 57-3/8" H Window, Double-Hung



**Window:** Double-Hung, Equal, Flat Sill Insert, Traditional Checkrail, Exterior White, Interior White **Glass:** All Sash: High Performance SmartSun Glass, No Pattern **Hardware:** White **Screen:** TruScene with Exterior Color Match, Full Screen **Grille Style:** Interior Wood Only (INTW) **Grille Pattern:** Sash 1: Colonial 4w x 2h, Sash 2: No Grilles **Misc:** None **Construction:** None **Material:** None 3/22/19

## UNIT NOTES

## UNIT CONSTRUCTION

## UNIT MATERIALS

## UNIT PHOTOS



Image 1



# 106

dba: RENEWAL BY ANDERSEN

Legal Name: Windows, LLC | License # PA003807  
801 Congressional Blvd. Suite 500 | Carmel, IN 46032  
Phone: 317-708-7608 | Fax: 808-555-5556 |  
Measure Tech: Mike Abarca,

**JOHN SHERRY & VALERIE SCHEY**

1314 E Wayne St North  
South Bend, IN 46615  
H: (574)210-9623 | C:

# 106

Living  
35-1/2" W 57-3/8" H  
Window, Double-Hung



**Window:** Double-Hung, Equal, Flat Sill Insert, Traditional Checkrail, Exterior White, Interior White **Glass:** All Sash: High Performance SmartSun Glass, No Pattern **Hardware:** White **Screen:** TruScene with Exterior Color Match, Full Screen **Grille Style:** Interior Wood Only (INTW) **Grille Pattern:** Sash 1: Colonial 4w x 2h, Sash 2: No Grilles **Misc:** None **Construction:** None **Material:** None 3/22/19

## UNIT NOTES

## UNIT CONSTRUCTION

## UNIT MATERIALS

## UNIT PHOTOS



# 107

dba: RENEWAL BY ANDERSEN

Legal Name: Windows, LLC | License # PA003807  
801 Congressional Blvd. Suite 500 | Carmel, IN 46032  
Phone: 317-708-7608 | Fax: 808-555-5556 |  
Measure Tech: Mike Abarca,

**JOHN SHERRY & VALERIE SCHEY**

1314 E Wayne St North  
South Bend, IN 46615  
H: (574)210-9623 | C:

# 107

Living  
39-1/2" W 57-3/8" H  
Window, Double-Hung



**Window:** Double-Hung, Equal, Flat Sill Insert, Traditional Checkrail, Exterior White, Interior White **Glass:** All Sash: High Performance SmartSun Glass, No Pattern **Hardware:** White **Screen:** TruScene with Exterior Color Match, Full Screen **Grille Style:** Interior Wood Only (INTW) **Grille Pattern:** Sash 1: Colonial 4w x 2h, Sash 2: No Grilles **Misc:** None **Construction:** None **Material:** None 3/22/19

## UNIT NOTES

## UNIT CONSTRUCTION

## UNIT MATERIALS

## UNIT PHOTOS



Image 1



# 108

dba: RENEWAL BY ANDERSEN

Legal Name: Windows, LLC | License # PA003807  
801 Congressional Blvd. Suite 500 | Carmel, IN 46032  
Phone: 317-708-7608 | Fax: 808-555-5556 |  
Measure Tech: Mike Abarca,

**JOHN SHERRY & VALERIE SCHEY**

1314 E Wayne St North  
South Bend, IN 46615  
H: (574)210-9623 | C:

# 108 master

**33-1/2" W 53-3/8" H**  
**Window, Double-Hung**



**Window:** Double-Hung, Equal, Flat Sill Insert, Traditional Checkrail, Exterior White, Interior White **Glass:** All Sash: High Performance SmartSun Glass, No Pattern **Hardware:** White **Screen:** TruScene with Exterior Color Match, Full Screen **Grille Style:** Interior Wood Only (INTW) **Grille Pattern:** Sash 1: Colonial 4w x 2h, Sash 2: No Grilles **Misc:** None **Construction:** None **Material:** None 3/22/19

## UNIT NOTES

## UNIT CONSTRUCTION

## UNIT MATERIALS

## UNIT PHOTOS



Image 1



# 109

dba: RENEWAL BY ANDERSEN

Legal Name: Windows, LLC | License # PA003807  
801 Congressional Blvd. Suite 500 | Carmel, IN 46032  
Phone: 317-708-7608 | Fax: 808-555-5556 |  
Measure Tech: Mike Abarca,

**JOHN SHERRY & VALERIE SCHEY**

1314 E Wayne St North  
South Bend, IN 46615  
H: (574)210-9623 | C:

# 109

master  
39-1/2" W 53-3/8" H  
Window, Double-Hung



**Window:** Double-Hung, Equal, Flat Sill Insert, Traditional Checkrail, Exterior White, Interior White **Glass:** All Sash: High Performance SmartSun Glass, No Pattern **Hardware:** White **Screen:** TruScene with Exterior Color Match, Full Screen **Grille Style:** Interior Wood Only (INTW) **Grille Pattern:** Sash 1: Colonial 4w x 2h, Sash 2: No Grilles **Misc:** None **Construction:** None **Material:** None 3/22/19

## UNIT NOTES

## UNIT CONSTRUCTION

## UNIT MATERIALS

## UNIT PHOTOS



Image 1



# 110

dba: RENEWAL BY ANDERSEN

Legal Name: Windows, LLC | License # PA003807  
801 Congressional Blvd. Suite 500 | Carmel, IN 46032  
Phone: 317-708-7608 | Fax: 808-555-5556 |  
Measure Tech: Mike Abarca,

**JOHN SHERRY & VALERIE SCHEY**

1314 E Wayne St North  
South Bend, IN 46615  
H: (574)210-9623 | C:

# 110

**mastercloset**  
**23-1/2" W 45-3/8" H**  
**Window, Double-Hung**



**Window:** Double-Hung, Equal, Flat Sill Insert, Traditional Checkrail, Exterior White, Interior White **Glass:** All Sash: High Performance SmartSun Glass, No Pattern **Hardware:** White **Screen:** TruScene with Exterior Color Match, Full Screen **Grille Style:** Interior Wood Only (INTW) **Grille Pattern:** Sash 1: Colonial 3w x 2h, Sash 2: No Grilles **Misc:** None **Construction:** None **Material:** None 3/22/19

## UNIT NOTES

## UNIT CONSTRUCTION

## UNIT MATERIALS

## UNIT PHOTOS



Image 1



**111**

dba: RENEWAL BY ANDERSEN

Legal Name: Windows, LLC | License # PA003807  
801 Congressional Blvd. Suite 500 | Carmel, IN 46032  
Phone: 317-708-7608 | Fax: 808-555-5556 |  
Measure Tech: Mike Abarca,

**JOHN SHERRY & VALERIE SCHEY**

1314 E Wayne St North  
South Bend, IN 46615  
H: (574)210-9623 | C:

**111**

**mastercloset**  
**23-1/2" W 45-3/8" H**  
**Window, Double-Hung**



**Window:** Double-Hung, Equal, Flat Sill Insert, Traditional Checkrail, Exterior White, Interior White **Glass:** All Sash: High Performance SmartSun Glass, No Pattern **Hardware:** White **Screen:** TruScene with Exterior Color Match, Full Screen **Grille Style:** Interior Wood Only (INTW) **Grille Pattern:** Sash 1: Colonial 3w x 2h, Sash 2: No Grilles **Misc:** None **Construction:** None **Material:** None 3/22/19

UNIT NOTES

UNIT CONSTRUCTION

UNIT MATERIALS

UNIT PHOTOS





# 112

dba: RENEWAL BY ANDERSEN

Legal Name: Windows, LLC | License # PA003807  
801 Congressional Blvd. Suite 500 | Carmel, IN 46032  
Phone: 317-708-7608 | Fax: 808-555-5556 |  
Measure Tech: Mike Abarca,

**JOHN SHERRY & VALERIE SCHEY**

1314 E Wayne St North  
South Bend, IN 46615  
H: (574)210-9623 | C:

# 112 bath

27-1/2" W 45-3/8" H  
Window, Double-Hung



**Window:** Double-Hung, Equal, Flat Sill Insert, Traditional Checkrail, Exterior White, Interior White **Glass:** Sash 1: High Performance SmartSun Glass, No Pattern, Sash 2: High Performance SmartSun Glass, No Pattern, Tempered Glass **Hardware:** White **Screen:** TruScene with Exterior Color Match, Full Screen **Grille Style:** Interior Wood Only (INTW) **Grille Pattern:** Sash 1: Colonial 3w x 2h, Sash 2: No Grilles **Misc:** None **Construction:** None **Material:** None 3/22/19

## UNIT NOTES

## UNIT CONSTRUCTION

## UNIT MATERIALS

## UNIT PHOTOS



Image 1



# 113

dba: RENEWAL BY ANDERSEN

Legal Name: Windows, LLC | License # PA003807  
801 Congressional Blvd. Suite 500 | Carmel, IN 46032  
Phone: 317-708-7608 | Fax: 808-555-5556 |  
Measure Tech: Mike Abarca,

**JOHN SHERRY & VALERIE SCHEY**

1314 E Wayne St North  
South Bend, IN 46615  
H: (574)210-9623 | C:

# 113 bath

27-1/2" W 45-3/8" H  
Window, Double-Hung



**Window:** Double-Hung, Equal, Flat Sill Insert, Traditional Checkrail, Exterior White, Interior White **Glass:** All Sash: High Performance SmartSun Glass, No Pattern, Tempered Glass **Hardware:** White **Screen:** TruScene with Exterior Color Match, Full Screen **Grille Style:** Interior Wood Only (INTW) **Grille Pattern:** Sash 1: Colonial 3w x 2h, Sash 2: No Grilles **Misc:** None **Construction:** None  
**Material:** None 3/22/19

## UNIT NOTES

## UNIT CONSTRUCTION

## UNIT MATERIALS

## UNIT PHOTOS



Image 1



# 114

dba: RENEWAL BY ANDERSEN

Legal Name: Windows, LLC | License # PA003807  
801 Congressional Blvd. Suite 500 | Carmel, IN 46032  
Phone: 317-708-7608 | Fax: 808-555-5556 |  
Measure Tech: Mike Abarca,

**JOHN SHERRY & VALERIE SCHEY**

1314 E Wayne St North  
South Bend, IN 46615  
H: (574)210-9623 | C:

# 114 office

39-1/2" W 53-3/8" H  
Window, Double-Hung



**Window:** Double-Hung, Equal, Flat Sill Insert, Traditional Checkrail, Exterior White, Interior White **Glass:** All Sash: High Performance SmartSun Glass, No Pattern **Hardware:** White **Screen:** TruScene with Exterior Color Match, Full Screen **Grille Style:** Interior Wood Only (INTW) **Grille Pattern:** Sash 1: Colonial 4w x 2h, Sash 2: No Grilles **Misc:** None **Construction:** None **Material:** None 3/22/19

## UNIT NOTES

## UNIT CONSTRUCTION

## UNIT MATERIALS

## UNIT PHOTOS



Image 1



# 115

dba: RENEWAL BY ANDERSEN

Legal Name: Windows, LLC | License # PA003807  
801 Congressional Blvd. Suite 500 | Carmel, IN 46032  
Phone: 317-708-7608 | Fax: 808-555-5556 |  
Measure Tech: Mike Abarca,

**JOHN SHERRY & VALERIE SCHEY**

1314 E Wayne St North  
South Bend, IN 46615  
H: (574)210-9623 | C:

# 115 office

**33-1/2" W 53-3/8" H**  
**Window, Double-Hung**



**Window:** Double-Hung, Equal, Flat Sill Insert, Traditional Checkrail, Exterior White, Interior White **Glass:** All Sash: High Performance SmartSun Glass, No Pattern **Hardware:** White **Screen:** TruScene with Exterior Color Match, Full Screen **Grille Style:** Interior Wood Only (INTW) **Grille Pattern:** Sash 1: Colonial 4w x 2h, Sash 2: No Grilles **Misc:** None **Construction:** None **Material:** None 3/22/19

## UNIT NOTES

## UNIT CONSTRUCTION

## UNIT MATERIALS

## UNIT PHOTOS



Image 1



# 116

dba: RENEWAL BY ANDERSEN

Legal Name: Windows, LLC | License # PA003807  
801 Congressional Blvd. Suite 500 | Carmel, IN 46032  
Phone: 317-708-7608 | Fax: 808-555-5556 |  
Measure Tech: Mike Abarca,

**JOHN SHERRY & VALERIE SCHEY**

1314 E Wayne St North  
South Bend, IN 46615  
H: (574)210-9623 | C:

# 116

**bed2B**  
**33-1/2" W 53-3/8" H**  
**Window, Double-Hung**



**Window:** Double-Hung, Equal, Flat Sill Insert, Traditional Checkrail, Exterior White, Interior White **Glass:** All Sash: High Performance SmartSun Glass, No Pattern **Hardware:** White **Screen:** TruScene with Exterior Color Match, Full Screen **Grille Style:** Interior Wood Only (INTW) **Grille Pattern:** Sash 1: Colonial 4w x 2h, Sash 2: No Grilles **Misc:** None **Construction:** None **Material:** None 3/22/19

## UNIT NOTES

## UNIT CONSTRUCTION

## UNIT MATERIALS

## UNIT PHOTOS



Image 1



# 117

dba: RENEWAL BY ANDERSEN

Legal Name: Windows, LLC | License # PA003807  
801 Congressional Blvd. Suite 500 | Carmel, IN 46032  
Phone: 317-708-7608 | Fax: 808-555-5556 |  
Measure Tech: Mike Abarca,

**JOHN SHERRY & VALERIE SCHEY**

1314 E Wayne St North  
South Bend, IN 46615  
H: (574)210-9623 | C:

# 117

**bed2B**  
**33-1/2" W 53-3/8" H**  
**Window, Double-Hung**



**Window:** Double-Hung, Equal, Flat Sill Insert, Traditional Checkrail, Exterior White, Interior White **Glass:** All Sash: High Performance SmartSun Glass, No Pattern **Hardware:** White **Screen:** TruScene with Exterior Color Match, Full Screen **Grille Style:** Interior Wood Only (INTW) **Grille Pattern:** Sash 1: Colonial 4w x 2h, Sash 2: No Grilles **Misc:** None **Construction:** None **Material:** None 3/22/19

## UNIT NOTES

## UNIT CONSTRUCTION

## UNIT MATERIALS

## UNIT PHOTOS



Image 1



#

dba: RENEWAL BY ANDERSEN

Legal Name: Windows, LLC | License # PA003807  
801 Congressional Blvd. Suite 500 | Carmel, IN 46032  
Phone: 317-708-7608 | Fax: 808-555-5556 |  
Measure Tech: Mike Abarca,

JOHN SHERRY & VALERIE SCHEY

1314 E Wayne St North  
South Bend, IN 46615  
H: (574)210-9623 | C:

#

Room Field

Misc

**Misc:** Misc - \*Add New, H/O is responsible for any painting or staining to interior trim or grids needed. **Construction:** None

**Material:** None 3/22/19

UNIT NOTES

Tap to add notes

UNIT CONSTRUCTION

UNIT MATERIALS

UNIT PHOTOS



# Buyer Acknowledgement

dba: RENEWAL BY ANDERSEN

Legal Name: Windows, LLC | License # PA003807  
801 Congressional Blvd. Suite 500 | Carmel, IN 46032  
Phone: 317-708-7608 | Fax: 808-555-5556 |  
Measure Tech: Mike Abarca,

**JOHN SHERRY & VALERIE SCHEY**

1314 E Wayne St North  
South Bend, IN 46615  
H: (574)210-9623 | C:

I acknowledge that by signing this as the homeowner, or on behalf of the homeowner as their authorized agent, I hereby confirm that all product details, features and options have been reviewed with the Order Verification Specialist (OVS). The features and options include, but are not limited to:

- Window/Door Color
- Hardware Color and Style
- Grill Configurations
- Interior Trim Style, Color and applicable Details
- Exterior Trim Style, Color, and other applicable Details
- What is and is what is not to be Painted/Stained

Removal and Replacement of the Blinds being solely my responsibility unless otherwise noted. Moreover, I have been told about potential glass loss with my new windows and I understand that some glass loss will occur. I further acknowledge that I have reviewed the order summary, I understand all that has been explained to be, especially that **SOME GLASS LOSS MAY OCCUR**, and that the order summary is accurate.

**Buyer**

Signature

**Valerie Schey**

Name

**03/22/19**

Date

The homeowner reviewed and signed this order during the measure appointment.

A representative for the homeowner reviewed and signed this order during the measure appointment.

The order was not signed during the measure appointment.



# Materials Checklist

**JOHN SHERRY & VALERIE SCHEY**

1314 E Wayne St North

South Bend, IN 46615

H: (574)210-9623 | C:

CATEGORY	DESCRIPTION	QUANTITY
----------	-------------	----------

This list includes the sum total all of the materials for the entire job.

---

MATERIAL	<b>Sillicone - White</b> .....	17 Tubes	<input type="checkbox"/>
MATERIAL	<b>Paintable - White</b> .....	8 Tubes	<input type="checkbox"/>
MATERIAL	<b>Trim Coil- White</b> .....	3 Rolls	<input type="checkbox"/>
MATERIAL	<b>Spray Foam</b> .....	6 s	<input type="checkbox"/>
MATERIAL	<b>8' Ladder (Installer)</b> .....	1	<input type="checkbox"/>
MATERIAL	<b>24' Ladder (Installer)</b> .....	1	<input type="checkbox"/>
<hr/>			
<hr/>			
<hr/>			
<hr/>			



# Product Order Form

dba: RENEWAL BY ANDERSEN

Legal Name: Windows, LLC | License # PA003807  
 801 Congressional Blvd. Suite 500 | Carmel, IN 46032  
 Phone: 317-708-7608 | Fax: 808-555-5556 |  
 Measure Tech: Mike Abarca,

JOHN SHERRY & VALERIE SCHEY

1314 E Wayne St North

South Bend, IN 46615

H: (574)210-9623 | C:

Sales	Ryan Brown
Tech	Mike Abarca

Windows	17
Specialty	0
Patio Doors	0
Misc.	1

Floor Plan ID#	Product	Insert Frame	Ext. Jamb	Ext. Trim	Checkrail Style	Perf. Upgrade	Exact Order Width	Exact Order Height	Sill Angle	Sash Ratio	Ext. Color	Int. Color	Glazing S1	Glazing S2	Glazing S3	Lifts	Locks	Sash Oper.	Hardware	Hardware Style	Grill Pattern	Grille Type	Lites S1/S3	Lites S2	Screen Type
101	DB,FS		NO		Traditional		35 1/2"	57 3/8"		Equal - 1:1	WH	WH	X3	X3	X3	0	1		Standard	White	COLONIAL	INTW	4/2		S
<b>Additional Options:</b> NORMAL OPENING							<b>Misc:</b> None							<b>Order Notes:</b>											

Floor Plan ID#	Product	Insert Frame	Ext. Jamb	Ext. Trim	Checkrail Style	Perf. Upgrade	Exact Order Width	Exact Order Height	Sill Angle	Sash Ratio	Ext. Color	Int. Color	Glazing S1	Glazing S2	Glazing S3	Lifts	Locks	Sash Oper.	Hardware	Hardware Style	Grill Pattern	Grille Type	Lites S1/S3	Lites S2	Screen Type
102	DB,FS		NO		Traditional		35 1/2"	57 3/8"		Equal - 1:1	WH	WH	X3	X3	X3	0	1		Standard	White	COLONIAL	INTW	4/2		S
<b>Additional Options:</b> NORMAL OPENING							<b>Misc:</b> None							<b>Order Notes:</b>											

Floor Plan ID#	Product	Insert Frame	Ext. Jamb	Ext. Trim	Checkrail Style	Perf. Upgrade	Exact Order Width	Exact Order Height	Sill Angle	Sash Ratio	Ext. Color	Int. Color	Glazing S1	Glazing S2	Glazing S3	Lifts	Locks	Sash Oper.	Hardware	Hardware Style	Grill Pattern	Grille Type	Lites S1/S3	Lites S2	Screen Type
103	DB,FS		NO		Traditional		27 1/2"	57 3/8"		Equal - 1:1	WH	WH	X3	X3	X3	0	1		Standard	White	COLONIAL	INTW	3/2		S
<b>Additional Options:</b> NORMAL OPENING							<b>Misc:</b> None							<b>Order Notes:</b>											



# Product Order Form

dba: RENEWAL BY ANDERSEN

Legal Name: Windows, LLC | License # PA003807  
 801 Congressional Blvd. Suite 500 | Carmel, IN 46032  
 Phone: 317-708-7608 | Fax: 808-555-5556 |  
 Measure Tech: Mike Abarca,

JOHN SHERRY & VALERIE SCHEY

1314 E Wayne St North

South Bend, IN 46615

H: (574)210-9623 | C:

Floor Plan ID#	Product	Insert Frame	Ext. Jamb	Ext. Trim	Checkrail Style	Perf. Upgrade	Exact Order Width	Exact Order Height	Sill Angle	Sash Ratio	Ext. Color	Int. Color	Glazing S1	Glazing S2	Glazing S3	Lifts	Locks	Sash Oper.	Hardware	Hardware Style	Grill Pattern	Grille Type	Lites S1/S3	Lites S2	Screen Type
104	DB,FS		NO		Traditional		27 1/2"	57 3/8"		Equal - 1:1	WH	WH	X3	X3	X3	0	1		Standard	White	COLONIAL	INTW	3/2		S
<b>Additional Options:</b> NORMAL OPENING							<b>Misc:</b> None										<b>Order Notes:</b>								

Floor Plan ID#	Product	Insert Frame	Ext. Jamb	Ext. Trim	Checkrail Style	Perf. Upgrade	Exact Order Width	Exact Order Height	Sill Angle	Sash Ratio	Ext. Color	Int. Color	Glazing S1	Glazing S2	Glazing S3	Lifts	Locks	Sash Oper.	Hardware	Hardware Style	Grill Pattern	Grille Type	Lites S1/S3	Lites S2	Screen Type
105	DB,FS		NO		Traditional		35 1/2"	57 3/8"		Equal - 1:1	WH	WH	X3	X3	X3	0	1		Standard	White	COLONIAL	INTW	4/2		S
<b>Additional Options:</b> NORMAL OPENING							<b>Misc:</b> None										<b>Order Notes:</b>								

Floor Plan ID#	Product	Insert Frame	Ext. Jamb	Ext. Trim	Checkrail Style	Perf. Upgrade	Exact Order Width	Exact Order Height	Sill Angle	Sash Ratio	Ext. Color	Int. Color	Glazing S1	Glazing S2	Glazing S3	Lifts	Locks	Sash Oper.	Hardware	Hardware Style	Grill Pattern	Grille Type	Lites S1/S3	Lites S2	Screen Type
106	DB,FS		NO		Traditional		35 1/2"	57 3/8"		Equal - 1:1	WH	WH	X3	X3	X3	0	1		Standard	White	COLONIAL	INTW	4/2		S
<b>Additional Options:</b> NORMAL OPENING							<b>Misc:</b> None										<b>Order Notes:</b>								

Floor Plan ID#	Product	Insert Frame	Ext. Jamb	Ext. Trim	Checkrail Style	Perf. Upgrade	Exact Order Width	Exact Order Height	Sill Angle	Sash Ratio	Ext. Color	Int. Color	Glazing S1	Glazing S2	Glazing S3	Lifts	Locks	Sash Oper.	Hardware	Hardware Style	Grill Pattern	Grille Type	Lites S1/S3	Lites S2	Screen Type
107	DB,FS		NO		Traditional		39 1/2"	57 3/8"		Equal - 1:1	WH	WH	X3	X3	X3	0	1		Standard	White	COLONIAL	INTW	4/2		S
<b>Additional Options:</b> NORMAL OPENING							<b>Misc:</b> None										<b>Order Notes:</b>								



# Product Order Form

dba: RENEWAL BY ANDERSEN

Legal Name: Windows, LLC | License # PA003807  
 801 Congressional Blvd. Suite 500 | Carmel, IN 46032  
 Phone: 317-708-7608 | Fax: 808-555-5556 |  
 Measure Tech: Mike Abarca,

JOHN SHERRY & VALERIE SCHEY

1314 E Wayne St North

South Bend, IN 46615

H: (574)210-9623 | C:

Floor Plan ID#	Product	Insert Frame	Ext. Jamb	Ext. Trim	Checkrail Style	Perf. Upgrade	Exact Order Width	Exact Order Height	Sill Angle	Sash Ratio	Ext. Color	Int. Color	Glazing S1	Glazing S2	Glazing S3	Lifts	Locks	Sash Oper.	Hardware	Hardware Style	Grill Pattern	Grille Type	Lites S1/S3	Lites S2	Screen Type
108	DB,FS		NO		Traditional		33 1/2"	53 3/8"		Equal - 1:1	WH	WH	X3	X3	X3	0	1		Standard	White	COLONIAL	INTW	4/2		S
<b>Additional Options:</b> NORMAL OPENING							<b>Misc:</b> None										<b>Order Notes:</b>								

Floor Plan ID#	Product	Insert Frame	Ext. Jamb	Ext. Trim	Checkrail Style	Perf. Upgrade	Exact Order Width	Exact Order Height	Sill Angle	Sash Ratio	Ext. Color	Int. Color	Glazing S1	Glazing S2	Glazing S3	Lifts	Locks	Sash Oper.	Hardware	Hardware Style	Grill Pattern	Grille Type	Lites S1/S3	Lites S2	Screen Type
109	DB,FS		NO		Traditional		39 1/2"	53 3/8"		Equal - 1:1	WH	WH	X3	X3	X3	0	1		Standard	White	COLONIAL	INTW	4/2		S
<b>Additional Options:</b> NORMAL OPENING							<b>Misc:</b> None										<b>Order Notes:</b>								

Floor Plan ID#	Product	Insert Frame	Ext. Jamb	Ext. Trim	Checkrail Style	Perf. Upgrade	Exact Order Width	Exact Order Height	Sill Angle	Sash Ratio	Ext. Color	Int. Color	Glazing S1	Glazing S2	Glazing S3	Lifts	Locks	Sash Oper.	Hardware	Hardware Style	Grill Pattern	Grille Type	Lites S1/S3	Lites S2	Screen Type
110	DB,FS		NO		Traditional		23 1/2"	45 3/8"		Equal - 1:1	WH	WH	X3	X3	X3	0	1		Standard	White	COLONIAL	INTW	3/2		S
<b>Additional Options:</b> NORMAL OPENING							<b>Misc:</b> None										<b>Order Notes:</b>								

Floor Plan ID#	Product	Insert Frame	Ext. Jamb	Ext. Trim	Checkrail Style	Perf. Upgrade	Exact Order Width	Exact Order Height	Sill Angle	Sash Ratio	Ext. Color	Int. Color	Glazing S1	Glazing S2	Glazing S3	Lifts	Locks	Sash Oper.	Hardware	Hardware Style	Grill Pattern	Grille Type	Lites S1/S3	Lites S2	Screen Type
111	DB,FS		NO		Traditional		23 1/2"	45 3/8"		Equal - 1:1	WH	WH	X3	X3	X3	0	1		Standard	White	COLONIAL	INTW	3/2		S
<b>Additional Options:</b> NORMAL OPENING							<b>Misc:</b> None										<b>Order Notes:</b>								



# Product Order Form

dba: RENEWAL BY ANDERSEN

Legal Name: Windows, LLC | License # PA003807  
 801 Congressional Blvd. Suite 500 | Carmel, IN 46032  
 Phone: 317-708-7608 | Fax: 808-555-5556 |  
 Measure Tech: Mike Abarca,

JOHN SHERRY & VALERIE SCHEY

1314 E Wayne St North

South Bend, IN 46615

H: (574)210-9623 | C:

Floor Plan ID#	Product	Insert Frame	Ext. Jamb	Ext. Trim	Checkrail Style	Perf. Upgrade	Exact Order Width	Exact Order Height	Sill Angle	Sash Ratio	Ext. Color	Int. Color	Glazing S1	Glazing S2	Glazing S3	Lifts	Locks	Sash Oper.	Hardware	Hardware Style	Grill Pattern	Grille Type	Lites S1/S3	Lites S2	Screen Type
112	DB,FS		NO		Traditional		27 1/2"	45 3/8"		Equal - 1:1	WH	WH	X3	X3T	X3	0	1		Standard	White	COLONIAL	INTW	3/2		S
<b>Additional Options:</b> NORMAL OPENING							<b>Misc:</b> None										<b>Order Notes:</b>								

Floor Plan ID#	Product	Insert Frame	Ext. Jamb	Ext. Trim	Checkrail Style	Perf. Upgrade	Exact Order Width	Exact Order Height	Sill Angle	Sash Ratio	Ext. Color	Int. Color	Glazing S1	Glazing S2	Glazing S3	Lifts	Locks	Sash Oper.	Hardware	Hardware Style	Grill Pattern	Grille Type	Lites S1/S3	Lites S2	Screen Type
113	DB,FS		NO		Traditional		27 1/2"	45 3/8"		Equal - 1:1	WH	WH	X3T	X3T	X3T	0	1		Standard	White	COLONIAL	INTW	3/2		S
<b>Additional Options:</b> NORMAL OPENING							<b>Misc:</b> None										<b>Order Notes:</b>								

Floor Plan ID#	Product	Insert Frame	Ext. Jamb	Ext. Trim	Checkrail Style	Perf. Upgrade	Exact Order Width	Exact Order Height	Sill Angle	Sash Ratio	Ext. Color	Int. Color	Glazing S1	Glazing S2	Glazing S3	Lifts	Locks	Sash Oper.	Hardware	Hardware Style	Grill Pattern	Grille Type	Lites S1/S3	Lites S2	Screen Type
114	DB,FS		NO		Traditional		39 1/2"	53 3/8"		Equal - 1:1	WH	WH	X3	X3	X3	0	1		Standard	White	COLONIAL	INTW	4/2		S
<b>Additional Options:</b> NORMAL OPENING							<b>Misc:</b> None										<b>Order Notes:</b>								

Floor Plan ID#	Product	Insert Frame	Ext. Jamb	Ext. Trim	Checkrail Style	Perf. Upgrade	Exact Order Width	Exact Order Height	Sill Angle	Sash Ratio	Ext. Color	Int. Color	Glazing S1	Glazing S2	Glazing S3	Lifts	Locks	Sash Oper.	Hardware	Hardware Style	Grill Pattern	Grille Type	Lites S1/S3	Lites S2	Screen Type
115	DB,FS		NO		Traditional		33 1/2"	53 3/8"		Equal - 1:1	WH	WH	X3	X3	X3	0	1		Standard	White	COLONIAL	INTW	4/2		S
<b>Additional Options:</b> NORMAL OPENING							<b>Misc:</b> None										<b>Order Notes:</b>								



# Product Order Form

dba: RENEWAL BY ANDERSEN

Legal Name: Windows, LLC | License # PA003807  
 801 Congressional Blvd. Suite 500 | Carmel, IN 46032  
 Phone: 317-708-7608 | Fax: 808-555-5556 |  
 Measure Tech: Mike Abarca,

JOHN SHERRY & VALERIE SCHEY

1314 E Wayne St North

South Bend, IN 46615

H: (574)210-9623 | C:

Floor Plan ID#	Product	Insert Frame	Ext. Jamb	Ext. Trim	Checkrail Style	Perf. Upgrade	Exact Order Width	Exact Order Height	Sill Angle	Sash Ratio	Ext. Color	Int. Color	Glazing S1	Glazing S2	Glazing S3	Lifts	Locks	Sash Oper.	Hardware	Hardware Style	Grill Pattern	Grille Type	Lites S1/S3	Lites S2	Screen Type
116	DB,FS		NO		Traditional		33 1/2"	53 3/8"		Equal - 1:1	WH	WH	X3	X3	X3	0	1		Standard	White	COLONIAL	INTW	4/2		S
<b>Additional Options:</b> NORMAL OPENING							<b>Misc:</b> None							<b>Order Notes:</b>											

Floor Plan ID#	Product	Insert Frame	Ext. Jamb	Ext. Trim	Checkrail Style	Perf. Upgrade	Exact Order Width	Exact Order Height	Sill Angle	Sash Ratio	Ext. Color	Int. Color	Glazing S1	Glazing S2	Glazing S3	Lifts	Locks	Sash Oper.	Hardware	Hardware Style	Grill Pattern	Grille Type	Lites S1/S3	Lites S2	Screen Type
117	DB,FS		NO		Traditional		33 1/2"	53 3/8"		Equal - 1:1	WH	WH	X3	X3	X3	0	1		Standard	White	COLONIAL	INTW	4/2		S
<b>Additional Options:</b> NORMAL OPENING							<b>Misc:</b> None							<b>Order Notes:</b>											

Floor Plan ID#	Product	Insert Frame	Ext. Jamb	Ext. Trim	Checkrail Style	Perf. Upgrade	Exact Order Width	Exact Order Height	Sill Angle	Sash Ratio	Ext. Color	Int. Color	Glazing S1	Glazing S2	Glazing S3	Lifts	Locks	Sash Oper.	Hardware	Hardware Style	Grill Pattern	Grille Type	Lites S1/S3	Lites S2	Screen Type
#																									

## Elicia Feasel

---

**From:** Elicia Feasel  
**Sent:** Wednesday, March 27, 2019 11:48 AM  
**To:** 'Valerie Schey'  
**Subject:** 1314 East Wayne Street COA  
**Attachments:** 1314 E. Wayne - part 2.pdf

Valerie -

Questions 1 - 4 have been answered by Ryan and he has provided a document that shows from the inside which windows are being replaced that correlates with the description; this is helpful to confirming that the window pane pattern will replicate the current configuration. A site plan noting which windows would help to clarify the location of the replacement windows.

Regarding the "grilles", in a 1994 COA, a conditional approval was made for the attic windows to be replaced with true divided light. To remain consistent with the precedent that approval set, we will recommend the "full divided light" in lieu of the "interior grilles" so it replicates the depth of the original true divided light.

The photographs embedded in Ryan's document can be used in the Staff Report, however, they do not show the deteriorated conditions (I could see some glazing failure and broken ropes). Please let me know if you intend to send additional photos to be considered in making the case for the condition of the existing windows being "deteriorated beyond repair", per the Standards.

Thank you,

Elicia

-----Original Message-----

**From:** Elicia Feasel [mailto:efeasel@southbendin.gov]  
**Sent:** Friday, March 22, 2019 4:35 PM  
**To:** Valerie Schey <caresouthbend@gmail.com>  
**Cc:** Adam Toering <atoering@southbendin.gov>  
**Subject:** RE: Elicia - for your review

Valerie -

HP Inspector, Steve, has filed a site visit report and the exterior photographs of the windows. Steve was unable to determine the condition of the windows from the exterior, especially due to the fact that they do have storm windows. Your photographs of the interior of the windows that you have applied to replace are vital to be able to ascertain the condition and make a Staff Recommendation to the Commission; please see COA application, page 2, Inspection Authority.

As for other necessary Required Documents, COA application, page 3, we will need a Site Plan or diagram that shows which windows are proposed to be replaced. On your contract with Anderson, there is an Itemized Order Receipt that lists and ID# and Room description; perhaps this can be mapped out.

Regarding Written Description and Materials to be used, the questions I have are as follows:

1. Will the new windows be Inserts or full frame?
2. Will the new windows be installed from interior or exterior? If exterior, how will exterior trim be affected?
3. Will the new windows be full divided light?
4. Many of your existing windows have an 8/1 light pattern. The windows above your front door are 6/1. Will the pattern of the "grille style" be the same as each window being replaced? If not, which ones will be different?

You can disregard the checkbox for Blueprints.

We would need the information by April 1 to be deemed a complete application for the April 15 HPC meeting agenda. Please let me know if you have any questions.

Thank you!

Elicia

-----Original Message-----

From: Valerie Schey <caresouthbend@gmail.com>  
Sent: Tuesday, March 12, 2019 5:21 PM  
To: Elicia Feasel <efeasel@southbendin.gov>  
Subject: RE: Elicia - for your review

Hi Elicia,

Thank you for this information.

The windows are actually a composite material and not clad windows. The material seems to be a more durable material than the clad option.

Would you like for me to send you information about how they are made? Maybe that would be helpful for all members of the HPC.

I will submit my COA tomorrow.

Thanks,

Val

-----Original Message-----

From: Elicia Feasel [mailto:efeasel@southbendin.gov]  
Sent: Tuesday, March 12, 2019 4:55 PM  
To: Valerie Schey <caresouthbend@gmail.com>  
Subject: RE: Elicia - for your review

Hi Valerie -

Thank you for contacting me again about your project and Certificate of Appropriateness application. The Commission typically doesn't require the contract and only rarely discusses pricing of application items so we can just remove those pages from the pdf, no problem.

When making the application, it is important to convey that the condition of the existing windows are "deteriorated beyond repair" and that the proposed replacements "resemble the original", per the Standards. My understanding is that the existing windows are primarily original wood with an 8/1 divided light pattern. The Standards do not prohibit vinyl windows but it is important that I make you aware that the Commission prefers aluminum-clad over vinyl-clad so they may ask if you've explored that option. They may also ask if you've received quotes to repair the existing and for adding storm windows. It is helpful to have a response to their inquiry during the Commission meeting. As an fyi, there is an approved COA in the file from



1994 approving replacement of 5 attic windows with a condition that the muntin/grid was true-divided light.

The deadline to apply for the April 15 HPC meeting will be April 1. There are currently two COAs on the April agenda.

Thanks!

Elicia

-----Original Message-----

From: Valerie Schey <caresouthbend@gmail.com>

Sent: Tuesday, March 12, 2019 3:51 PM

To: Elicia Feasel <efeasel@southbendin.gov>

Subject: Elicia - for your review

Importance: High

Elicia,

As I mentioned, John and I want to install new windows.

We have contacted Andersen, and attached is the contract they provided us for custom made windows.

Because of the private information on the contract, I DO NOT want this contract to be shared publicly with the Historic Preservation Commission.

Before I complete the COA, can you tell me if I will be required to share our contract publicly?

Thank you,

Valerie Schey

-----Original Message-----

From: Ryan Brown [mailto:rbrown@windowsbyrba.com]

Sent: Monday, March 11, 2019 4:00 PM

To: caresouthbend@gmail.com; SB868-Admin <SB868-Admin@windowsbyrba.com>

Cc: RBA Paperwork <RBAPaperwork@windowsbyrba.com>; Ryan Brown <rbrown@windowsbyrba.com>

Subject: Agreement Confirmation for John Sherry & Valerie Schey

Thank you for your business. It has been a privilege to assist you with your replacement project. If there is anything else I can do for you, or if you are in need of any future service, please do not hesitate to contact me or the company using the contact information listed in the attached agreement.

Thanks again for your purchase. I'm confident that you will love your new products for years to come.

Ryan Brown

(317)657-6111

If you are unable to view a PDF please use the link below:

<https://get.adobe.com/reader/>

**IMPORTANT NOTICE!** This E-Mail transmission and any accompanying attachments may contain confidential information intended only for the use of the individual or entity named above. Any dissemination, distribution, copying or action taken in reliance on the contents of this E-Mail by anyone other than the intended recipient is strictly prohibited and is not intended to, in anyway, waive privilege or confidentiality. If you have received this E-Mail in error please immediately delete it and notify sender at the above E-Mail address. Please note that incoming e-mails are not routinely screened for response deadlines, and as such, please notify the sender separately by fax of any message containing

**From:** [Valerie Schey](#)  
**To:** [Elicia Feasel](#)  
**Cc:** [John Sherry](#)  
**Subject:** FW: window pix  
**Date:** Monday, April 1, 2019 10:12:56 AM  
**Attachments:** [Schey Sherry 1314 E Wayne N Window Damage - Copy.zip](#)

---

Dear Elicia,

This is a last note to round out the discussion of our prospective window replacement before your board meets on the 15th. I have attached photos from the interior of our windows.

We deeply appreciate the historic appearance of our neighborhood. We believe we can vastly improve the structure and function of our dilapidated windows in an aesthetically harmonious way.

Just a few years ago, we invested almost \$20,000.00 to repair our slate roof and install copper gutters, to conform to the codes for the historic district. We have also upgraded to an expensive energy efficient furnace, to be more ecologically considerate. Our current windows are so damaged and inefficient that we suffer with cold drafts in the wintertime, and warm zones in the summertime in the vicinities of the windows, which causes our heating and cooling costs to skyrocket in these seasons. Some of the exterior windows are warped and rotted; they will no longer close flush to the frame. There is water damage on some of the interior windows as well. Also, a number of windows can no longer be raised. Finally, the existing windows are mismatched, with some of them having storms and screens, and some of them not. We have attached photos to illustrate some of this damage.

The windows we propose to install are energy efficient, and would solve these problems while still maintaining a historically appropriate appearance, complete with muntins. We have carefully researched our choice of renewal vendors, and are confident that Andersen, a firm that has worked with the historic commission in the past, will do an outstanding job of approximating our existing look. The new custom windows align with the city's increased emphasis on sustainability. Our contractor, Mr. Ryan Brown, has already been in touch with you about most of these details.

Please let us know if there is any other information you would like us to provide to assist in your deliberation. We will be present for the hearing and can address any additional questions that might arise at that time.

Best,  
John Sherry

**From:** John Sherry [mailto:jsherry@nd.edu]  
**Sent:** Sunday, March 31, 2019 4:40 PM  
**To:** Val Schey <caresouthbend@gmail.com>  
**Subject:** window pix

Here's a zip file with the pix

--

John F. Sherry, Jr.  
Herrick Professor of Marketing  
Mendoza College of Business